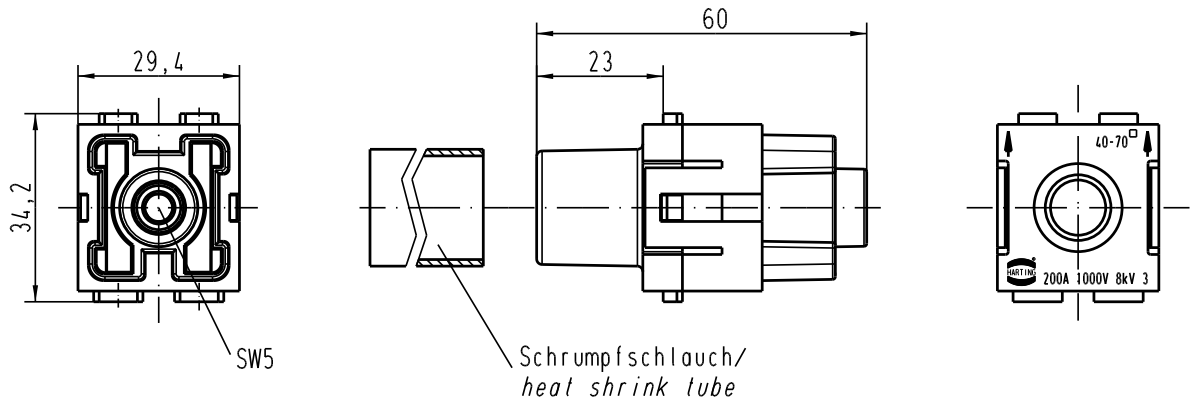
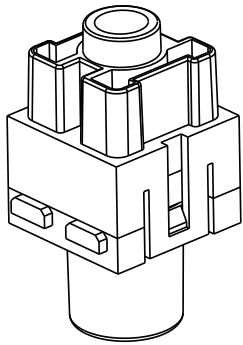




Alle Rechte vorbehalten/ All rights reserved



SW5

Schrumpfschlauch/  
heat shrink tube



|   |      |                   |                                |             |   |   |
|---|------|-------------------|--------------------------------|-------------|---|---|
|  All Dimensions in mm<br>Original Size DIN A 4 |      | Techn. Character. |                                |             | Nicht tolerierte Masse! Free size tolerances  |   |
|   |      |                   | Del.                           | Name        | Massestab/Scale<br><b>1:1</b>   | <b>Han 1Mod-f-ax 200A</b><br>Buchseneinsatz/female insert<br>40-70mm <sup>2</sup> |
|   |      |                   | Detail.                        | 07.01.05 ML |   |   |
|   |      |                   | Insp.                          | Herb.       |   |   |
|   |      |                   | Stand.                         |             |   |   |
| 411066  |      |                   | HARTING Electric GmbH & Co. KG |             |  | <b>TB 09 14 001 2762</b>  |
| Mod.  | Dat. | Name              | D-32339 Espelkamp              |             |   |   |