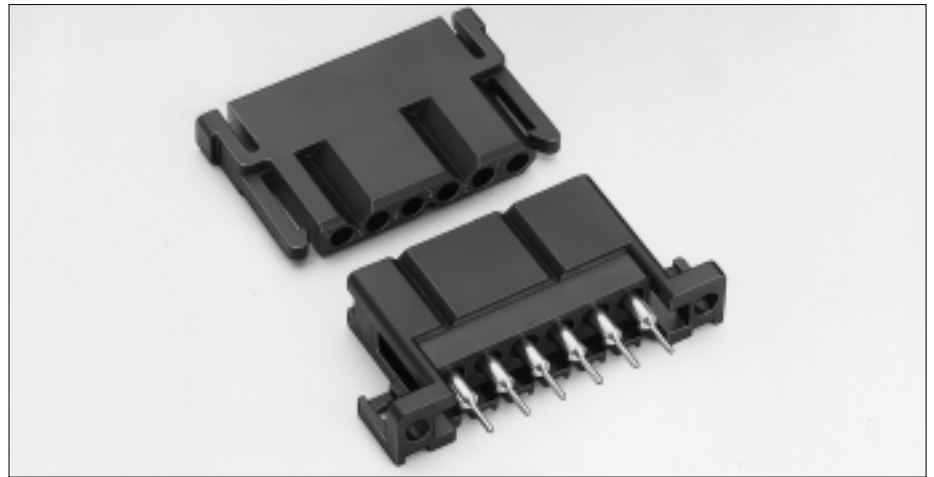


The Slimline Range offers a low profile connector system that is well suited for circuit board applications. The precision machined contacts are ideal for power and sensitive signals.

### Applications:

- Communications equipment.
- Test equipment.
- Heavy duty equipment.



For more information: [www.ittcannon.com/cat002](http://www.ittcannon.com/cat002)

### Product Features

- Less than 10,00 (.393) width on PC board.
- Pin headers pre-loaded with straight or 90° machined solder tail pins.
- Mating plug accepts all Trident signal crimp socket contacts, see page
- Plugs have integrally molded quick connect/disconnect latches.
- Five single row contact arrangements available.
- Recognized under the component program of UL Inc. and CSA.
- Gold plated version available with earth pin capability.
- 10 A per circuit.

### Performance Specifications

Operating Voltage	250 V ac rms
Contact Current Rating	Up to 10 A (For derating curve, see page 44)
Temperature Range	-40°C to 105°C (-40°F to 221°F)
Insulation Resistance	5000 MΩ at 500 V dc

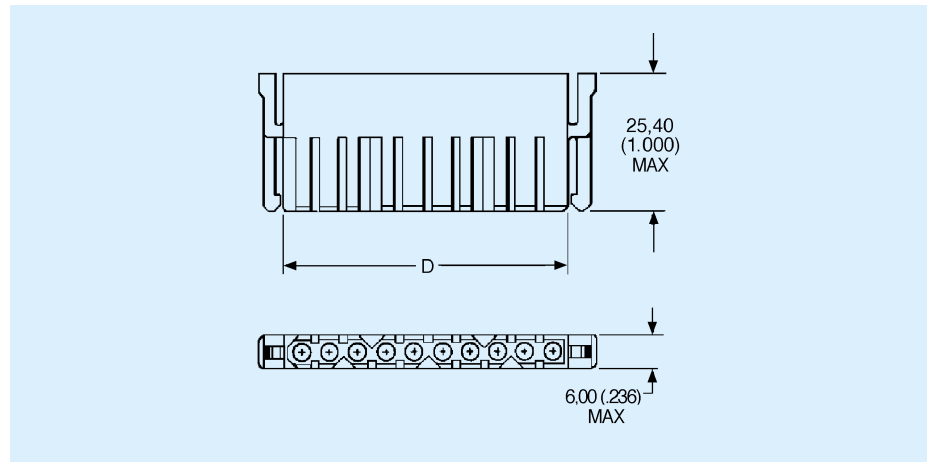
### Materials and Finishes

Description	Material	Finish
Insulator	Black Nylon, UL 94V-0	None

## Plug Connector



- Socket contacts must be ordered separately for the plug connectors, see page 45.

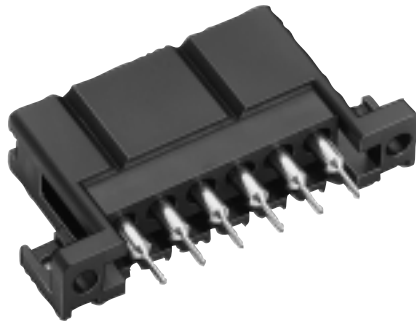


Snap Together  
Slimline

### Part Numbers — Plug Connector

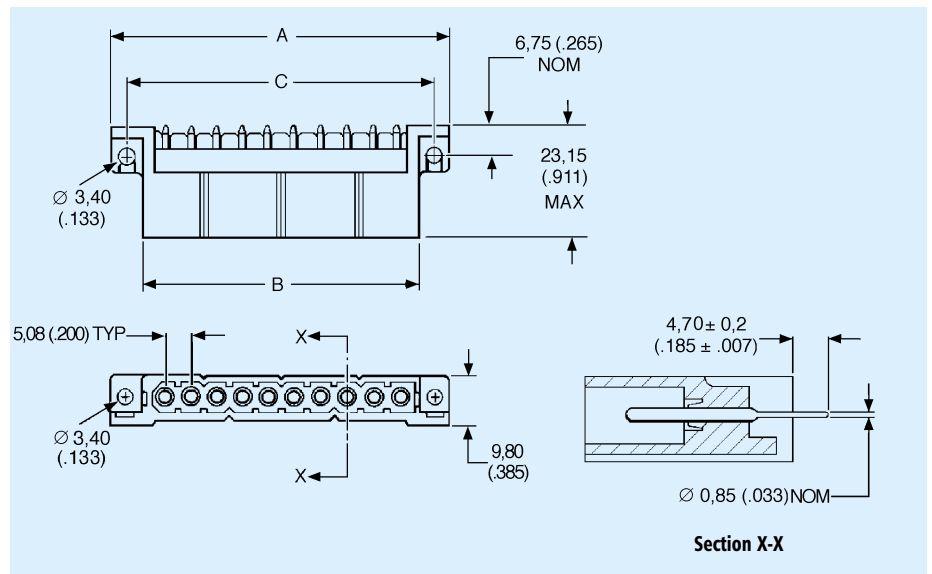
Number of Contacts	Part Number (Pack of 100)	Nomenclature	D max.
3	192990-0960	TST 03 PF 00	16,10 (.633)
4	192990-0970	TST 04 PF 00	21,20 (.834)
6	192990-0980	TST 06 PF 00	31,40 (1.236)
9	192990-0990	TST 09 PF 00	46,60 (1.834)
10	192990-1000	TST 10 PF 00	51,60 (2.031)

## Pin Header — Straight



Snap Together Slimline

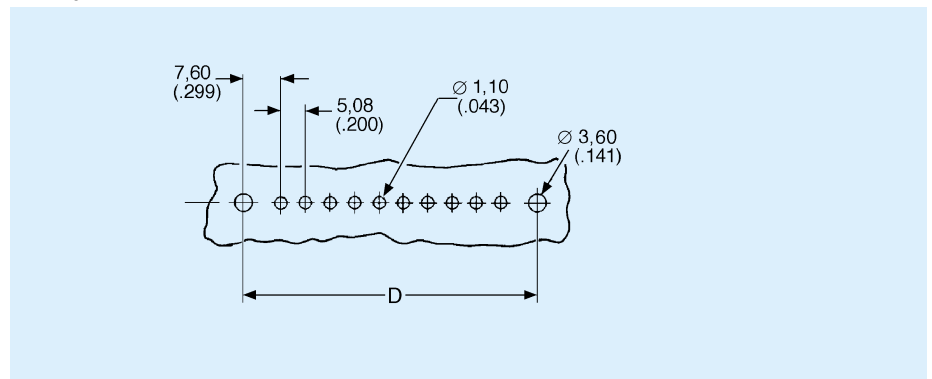
- For gold plated versions extended earth pins are available in any one or two positions. Contact your local Cannon Sales Office for further details.



## Part Numbers — Straight Pin Header

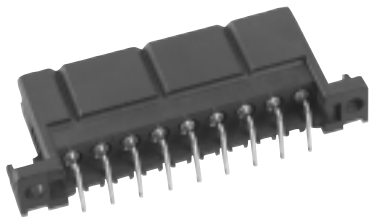
Number of Contacts	Gold Plated Version 0,4 μm (16 μ in.) min. Gold		Tin Plated Version		Dimensions (max.)		
	Part Number (Pack of 100)	Nomenclature	Part Number (Pack of 100)	Nomenclature	A	B	C
3	192991-0337	TP 03 R4E 00Y	192991-0316	TST 03 RD 01T	31,40 (1.236)	19,40 (.763)	25,50 (1.003)
4	192991-0347	TP 04 R4E 00Y	192991-0318	TST 04 RD 01T	36,50 (1.437)	14,50 (.964)	30,60 (1.204)
6	192991-0342	TP 06 R4E 00Y	192991-0320	TST 06 RD 01T	46,70 (1.838)	34,70 (1.366)	40,70 (1.602)
9	192991-0536	TP 09 R4E 00Y	192991-0322	TST 09 RD 01T	61,90 (2.437)	49,90 (1.964)	56,00 (2.204)
10	192991-0354	TP 10 R4E 00Y	192991-0324	TST 10 RD 01T	67,00 (2.637)	55,00 (2.165)	61,10 (2.405)

## PCB Layout

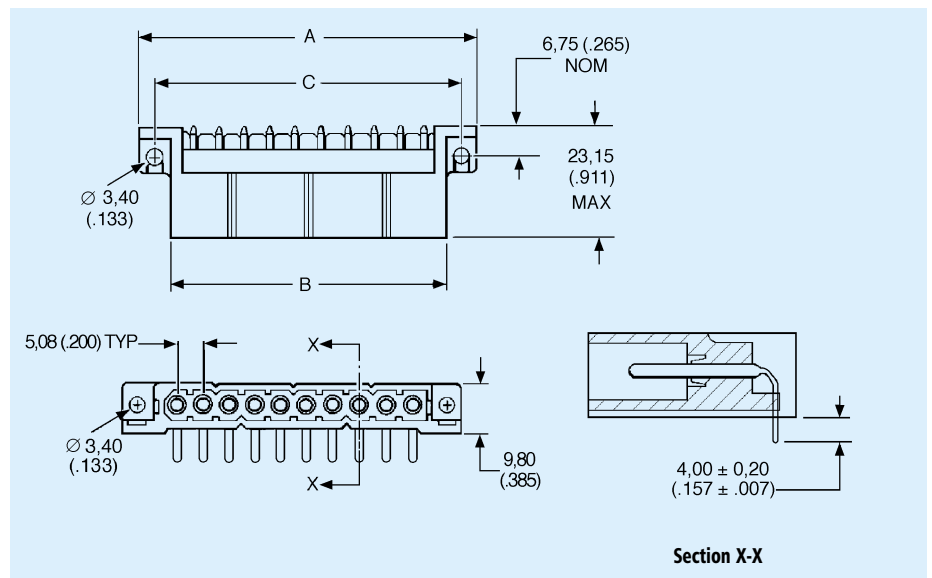


Number of Contacts	D max.
3	25,50 (1.003)
4	30,60 (1.204)
6	40,70 (1.602)
9	56,00 (2.204)
10	61,10 (2.405)

## Pin Header — 90°



- For gold plated versions extended earth pins are available in any one or two positions. Contact your local Cannon Sales Office for further details.

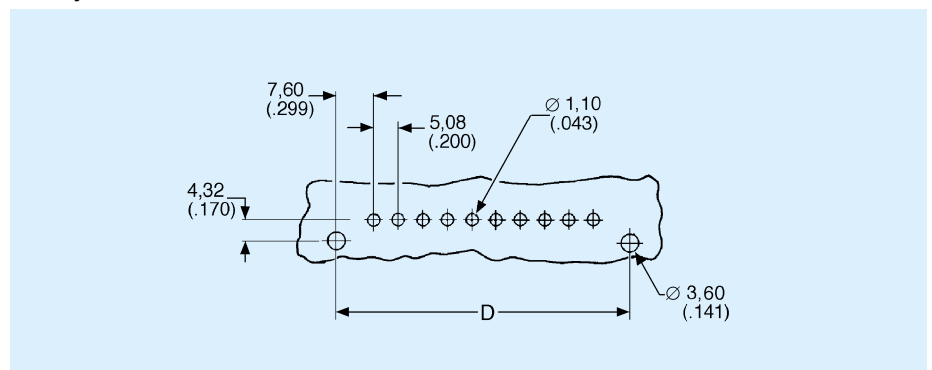


Snap Together Slimline

## Part Numbers — 90° Pin Header

Number of Contacts	Gold Plated Version 0,4 μm (16 μ in.) min. Gold		Tin Plated Version		Dimensions (max.)		
	Part Number (Pack of 100)	Nomenclature	Part Number (Pack of 100)	Nomenclature	A	B	C
3	192991-0532	TP03 R3E00Y	192991-0317	TST03 RE01T	31,40 (1.236)	19,40 (.763)	25,50 (1.003)
4	192991-0533	TP04 R3E00Y	192991-0319	TST04 RE01T	36,50 (1.437)	14,50 (.964)	30,60 (1.204)
6	192991-0534	TP06 R3E00Y	192991-0321	TST06 RE01T	46,70 (1.838)	34,70 (1.366)	40,70 (1.602)
9	192991-0535	TP09 R3E00Y	192991-0323	TST09 RE01T	61,90 (2.437)	49,90 (1.964)	56,00 (2.204)
10	192991-0538	TP10 R3E00Y	192991-0325	TST10 RE01T	67,00 (2.637)	55,00 (2.165)	61,10 (2.405)

## PCB Layout



Number of Contacts	D max.
3	25,50 (1.003)
4	30,60 (1.204)
6	40,70 (1.602)
9	56,00 (2.204)
10	61,10 (2.405)