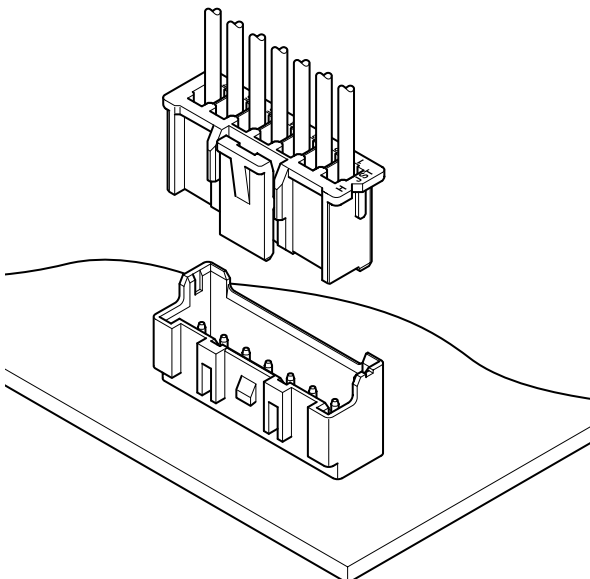
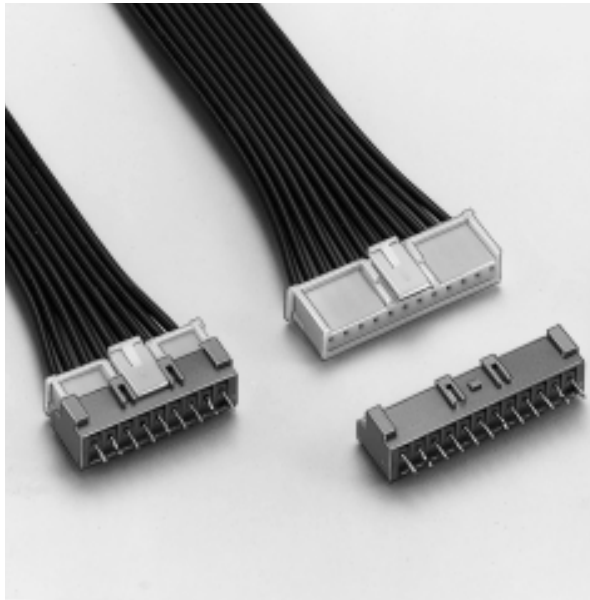
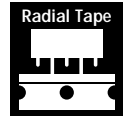


XA CONNECTOR

Disconnectable Crimp style connectors



Features

• Locking device

The housing has a locking device to securely hold the header, preventing accidental disconnection because of external forces that might result from the routing of wires during assembly process or of vibration.

• Solder crack preventive material

Header wafer is made of glass-filled PA66 nylon thus effective against the solder crack problem.

• Low insertion force

Header pins are round and reflow-treated, which provides low insertion force.

• Insertion guide mechanism

Header has housing insertion guides for easy and secure insertion.

• Applicable to automatic board mounting machine

Radial taped or stick-mounted headers are also available for automatic component insertion machine.

• Polarizing boss

Headers with polarizing bosses are also available.

Specifications

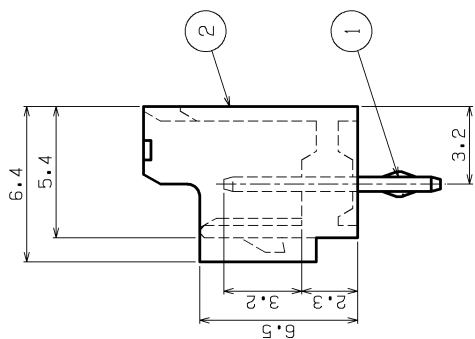
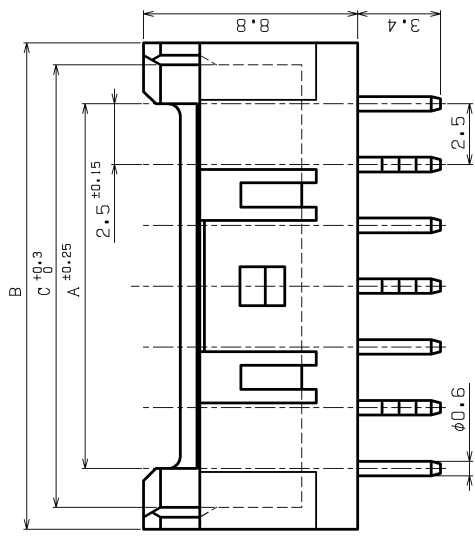
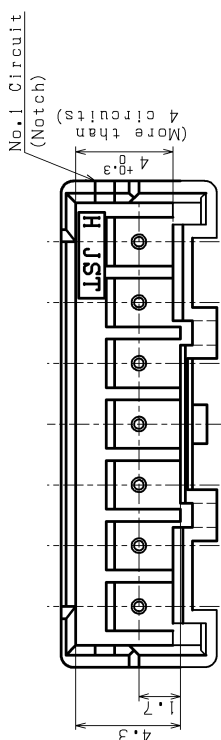
- Current rating: 3A AC DC (AWG#20)
- Voltage rating: 250V AC DC
- Temperature range: -25°C to +85°C
(including temperature rise in applying electrical current)
- Relative humidity: 0 to 80%
- Contact resistance: Initial value/10m Ω max.
After environmental testing/20m Ω max.
- Insulation resistance: 1,000M Ω min.
- Withstanding voltage: 1,000V AC/minute
- Applicable wire: AWG #28 to #20
- Applicable PC board thickness: 1.6mm (.063")
- * Contact JST if Lead-Free product is required.
- * Refer to "General Instruction and Notice when using Terminals and Connectors" at the end of this catalog.
- * Contact JST for details.

Standards

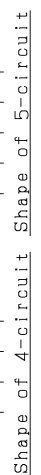
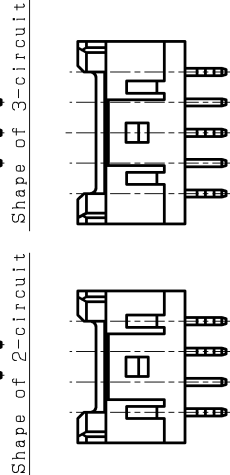
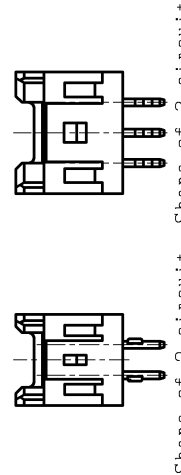
- Recognized E60389
- 1 Certified LR20812
- 2 R9851220

1 2 3 4 5 6 7 8

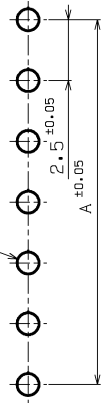
REV	DESCRIPTION	DATE	DESIGNED
△			



Circuits	Dimensions		
	A	B	C
2	2.5	7.5	5.7
3	5.0	10.0	8.2
4	7.5	12.5	10.7
5	10.0	15.0	13.2
6	12.5	17.5	15.7
7	15.0	20.0	18.2
8	17.5	22.5	20.7
9	20.0	25.0	23.2
10	22.5	27.5	25.7
11	25.0	30.0	28.2
12	27.5	32.5	30.7
13	30.0	35.0	33.2
14	32.5	37.5	35.7
15	35.0	40.0	38.2



2	WAFER	66NYLON (G.F.)			UL94V-0, NATURAL
1	PIN	COPPER ALLOY			COPPER-UNDERPLATED TIN-PLATED
No.	PART NAME	MATERIAL	CUSTOMER		
UNIT	SCALE	PROJECTION	DATE	SURFACE FINISH	
A3	METRIC 5:1	1	DEC. 21, 2004	REMARKS	
APPROVED	CHECKED	DESIGNED	DRAWN	SERIES NAME	
S.K		T.S	A.M	XA CONNECTOR	
JST J.S.T.MFG.CO., LTD			PART No.		
			B () B-XASK-1 (LF) (SN)		
			DRAWING No.		
			KRD-35892		
			RO		



THIS DRAWING CONTAINS INFORMATION THAT IS PROPRIETARY TO J.S.T. AND SHOULD NOT BE USED WITHOUT WRITTEN PERMISSION.

EC4109-2