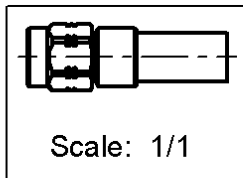
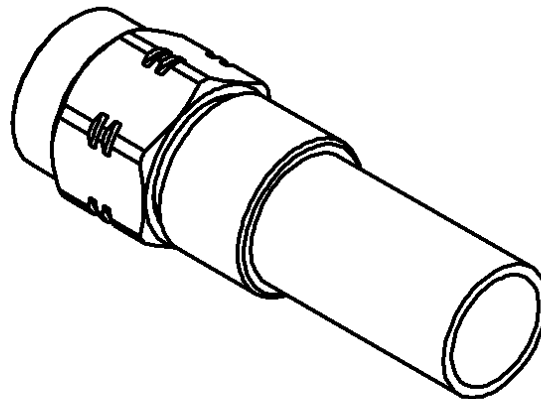
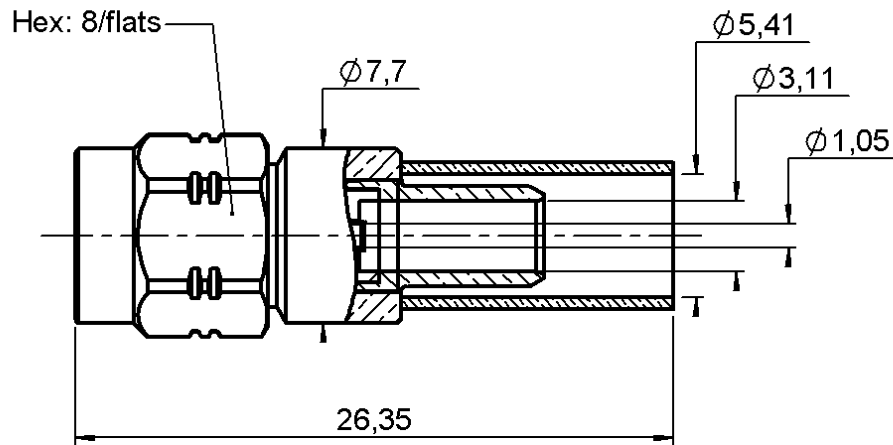


RP SMA STRAIGHT PLUG CRIMP TYPE

R300.124.073

CABLE 5/50 S

Series :
REV.POLARITY



All dimensions are in mm.



COMPONENTS	MATERIALS	PLATINGS (µm)
BODY	BRASS	BBR 2
CENTER CONTACT	BERYLLIUM COPPER	GOLD 1.3 OVER COPPER 2.5
OUTER CONTACT	-	-
INSULATOR	PTFE	-
GASKET	SILICONE RUBBER	-
OTHERS PARTS	-	-
-	-	-
-	-	-

Issue : 0249 A

In the effort to improve our products, we reserve the right to make changes judged to be necessary.



RP SMA STRAIGHT PLUG CRIMP TYPE

R300.124.073

CABLE 5/50 S

Series :
REV.POLARITY

PACKAGING

Standard	Unit	Other
100	'W' option	Contact us

SPECIFICATION

ELECTRICAL CHARACTERISTICS

Impedance	50	Ω
Frequency	0-12.4	GHz
VSWR	1.15 + 0.010	x F(GHz) Maxi
Insertion loss	0.04	\sqrt{F} (GHz) dB Maxi
RF leakage	- (TBD)	- F(GHz)) dB Maxi
Voltage rating	335	Veff Maxi
Dielectric withstanding voltage	1000	Veff mini
Insulation resistance	5000	M Ω mini

CABLE ASSEMBLY

Stripping	a	b	c	d	e	f
mm	3.00	6.30	10.8	0.00	7.80	0.00

Assembly instruction : **Crimp 02**

Recommended cable(s)
 RG 58
 KX 15
 RG 141
 RG 58
 KX 15
 RG 141

Characteristics indicated on this data sheet are those that can be achieved with the highest performance cable. Intrinsic limitations of the cable may diminish the performance of the assembly

Cable retention
 - pull off **180** N mini
 - torque **TBD** N.cm

MECHANICAL CHARACTERISTICS

Center contact retention		
Axial force – Mating end	18	N mini
Axial force – Opposite end	18	N mini
Torque	NA	N.cm mini

TOOLING

Recommended torque		
Mating	60	N.cm
Panel nut	NA	N.cm
Clamp nut	NA	N.cm
A/F clamp nut	0.000	mm
Mating life	100	Cycles mini
Weight	5.356	g

Part Number	Description	Hexagon
.	.	.
R282.223.000	CRIMPING TOOL	5.41
R282.235.011	CRIMPING DIES	5.41
R282.293.000	CRIMPING TOOL	
R282.967.012	POSITONER FOR CRIMPING TOOL	
R282.281.000	CRIMPING TOOL	2x4 (pos. 7)

ENVIRONMENTAL

Operating temperature	-65/+165	$^{\circ}$ C
Hermetic seal	NA	Atm.cm3/s
Panel leakage	NA	

OTHERS CHARACTERISTICS

Issue : 0249 A

In the effort to improve our products, we reserve the right to make changes judged to be necessary.

