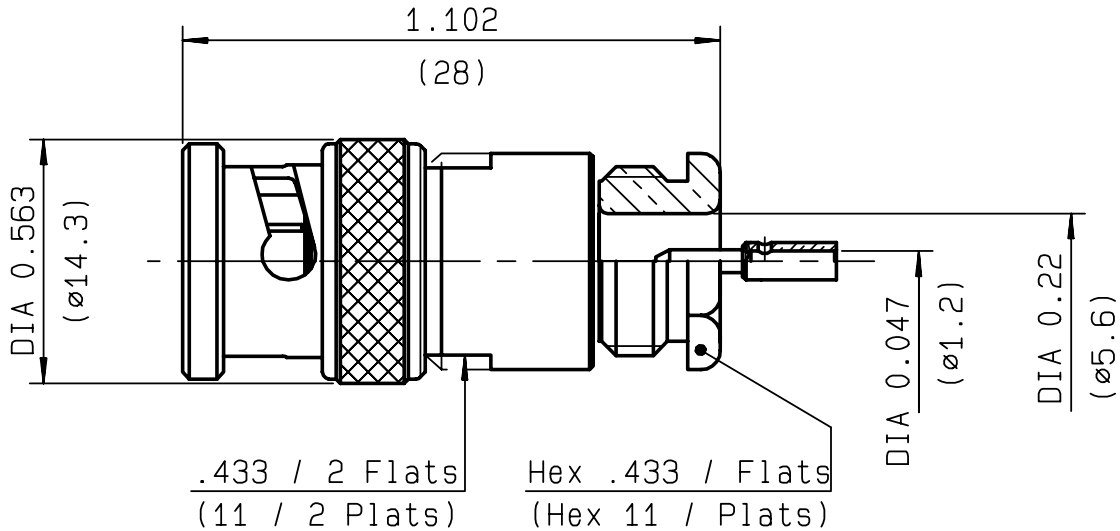


**STRAIGHT PLUG CLAMP TYPE
CABLE 5/50 S+D**

R141.008.000
SERIES BNC



NOMINAL IMPEDANCE	50 Ω
FREQUENCY RANGE	0-4 GHz
TEMPERATURE RATING	-65/+165 °C
V.S.W.R	1.2 + x F(GHz)Maxi
RF INSERTION LOSS	0.115 \sqrt{F} (GHz) dB Maxi
VOLTAGE RATING	500 Veff Maxi
DIELECTRIC WITHSTANDING VOLTAGE	1500 Veff Mini
INSULATION RESISTANCE	5000 M Ω Mini
HERMETIC SEAL	NA Atm.cm ³ /s
LEAKAGE (pressurized only)	NA
MECHANICAL DURABILITY	500 Cycles
WEIGHT	17 gr
SPECIFICATION	

- CABLES :
- KX 15**
 - KX 23**
 - RG 141**
 - RG 142**
 - RG 142 FTX**
 - RG 223**
 - RG 400**
 - RG 58**

OTHERS CHARACTERISTICS

CABLE RETENTION	180 N Mini
CENTER CONTACT RETENTION	
Axial force - mating end	NA N Mini
Axial force - opposite end	NA N Mini
Torque	NA cm.N Mini
RECOMMENDED TORQUES	
Mating	NA cm.N
Panel nut	NA cm.N
Clamp nut	450 cm.N

CONNECTOR PARTS	MATERIALS	FINISH	(all values are given in micrometers)
BODY	BRASS	NICKEL 2	
OUTER CONTACT			
CENTER CONTACT	BRASS	GOLD 0.5 OVER NICKEL 2	
INSULATOR	PTFE	-	
GASKET	SILICONE RUBBER	-	
OTHERS PIECES	BRASS	NICKEL 2	

ISSUE	CREATION DATE	FILE PART-NUMBER
9916B01	12/09/1984	



The information given here is subject to change without notice. Design changes may be in order to improve the product.

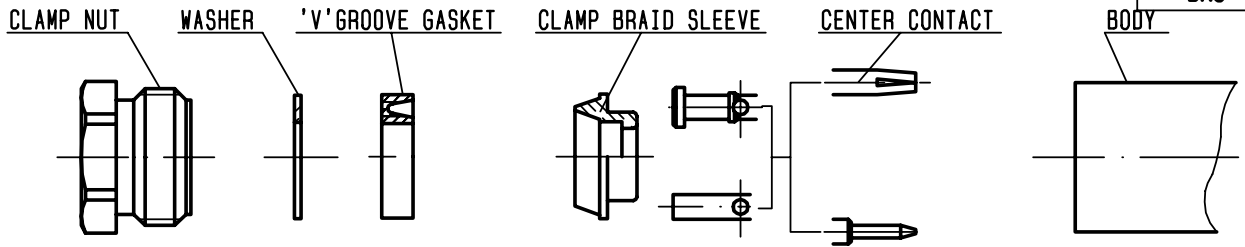
Connect to the future



R141.008.000

ISSUE **9916B01**

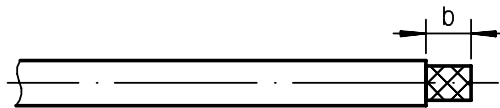
SERIES
BNC



①

Strip the cable .

-
-
-
-

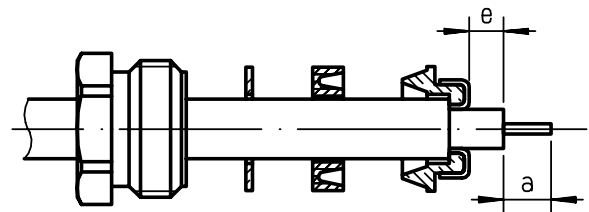


Stripping	a	b	c	d	e
inch	0.177	0.335	0	0	0.098
mm	4.5	8.5			2.5

②

Slide clamp nut, washer and 'V'groove gasket onto cable .
Slide clamp braid sleeve over braid .
Fold braid back and trim off extra braid.
Trim dielectric back as shown .

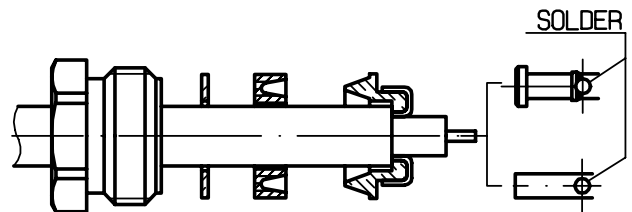
-



③

Solder the center contact onto cable center conductor.

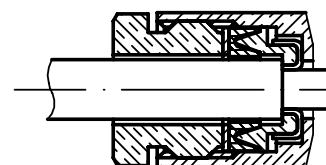
-
-
-
-
-
-



④

Screw sub-assembly into the connector body .
(recommended coupling torque 450N.cm)
39.82in.lb

-
-



Hex. : 11 mm /flats
Hex. : 0.433inch /flats