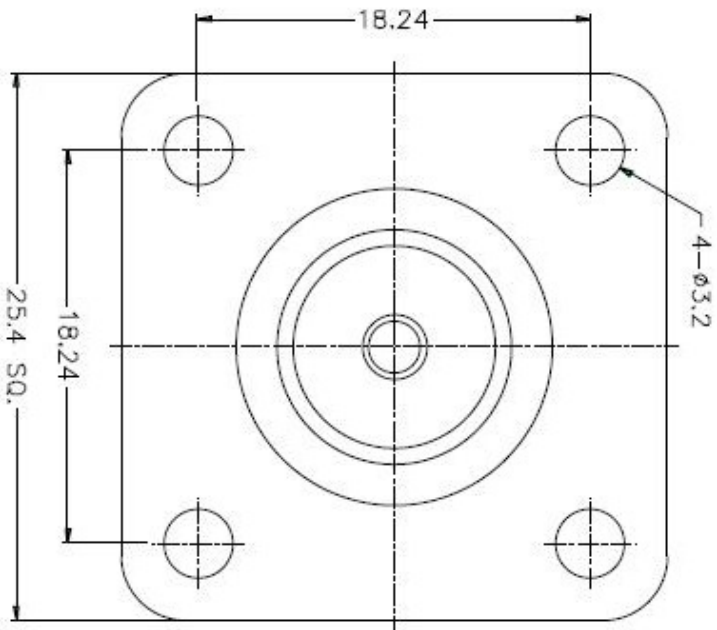
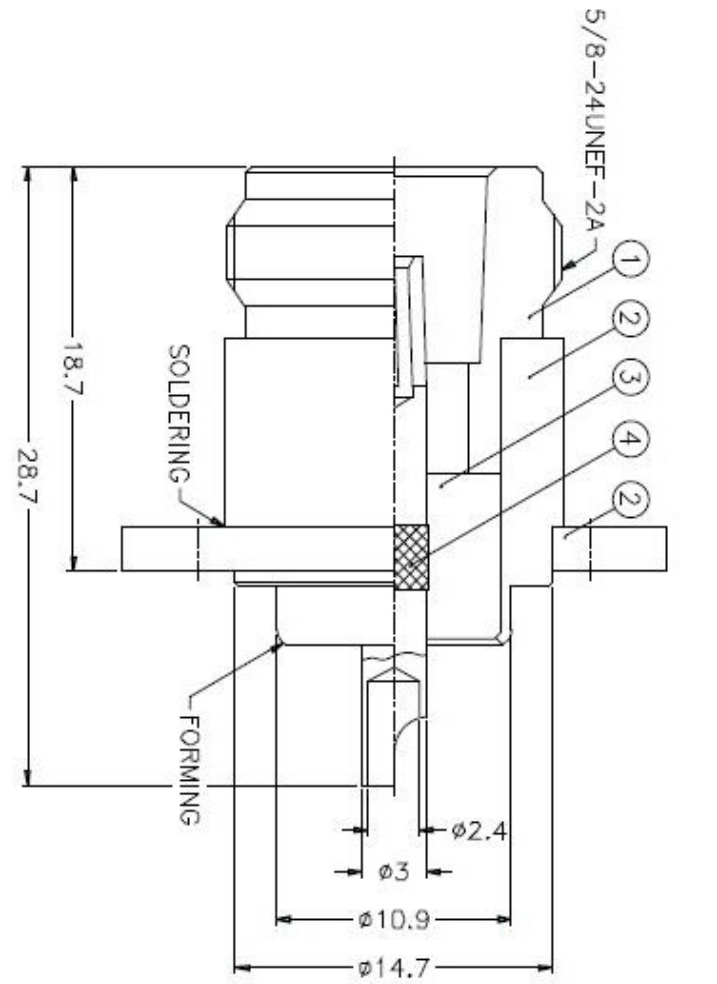


ISS	ZONE	DESCRIPTION \ PER REQUEST \ DATE
1		



- NOTES: FINISH (PLATING THICKNESS IN MICRO-INCHES)
1. BRASS PER QQ-B-626
  2. NICKEL PL. 100 MIN. THICK OVER COPPER STRIKE
  3. PHOSPHOR BRONZE PER QQ-B-750
  4. GOLD PL. 3 MIN. THICK OVER NICKEL PL. 100 MIN. THICK OVER COPPER STRIKE
  5. PTFE MIL-P-19468

DIMENSIONS ARE IN MILLIMETERS UNLESS OTHERWISE SPECIFIED	
0.5-6	±0.2
6-30	±0.4
30-120	±0.6
120-315	±1
315-1000	±1.6
1000-2000	±2.4

PART NO.	DATE
N6551A1-NT3G-50	10-11-01*
APPROVED	DATE
CHECKED	DATE
DRAWN	DATE

TITLE	DRAWING NO.	ITEM NO.
N PANEL RECEIPT. JACK	KJ-N6551A1-NT3G-50	

NO.	DESCRIPTION	MATERIAL	FINISH	QTY	DRAWING NO.
4	CONTRACT PIN	NOTE 3	NOTE 4	1	N6551A1-4-B
3	INSULATOR	NOTE 5	NATURAL	1	N6551A1-3T-50-B
2	HOUSING WITH PANEL	NOTE 1	NOTE 2	1	N6551A1-2S
1	BODY	NOTE 1	NOTE 2	1	N7900-4

NO.	DESCRIPTION	MATERIAL	FINISH	QTY	DRAWING NO.	SCALE	3/1	ISSUE	A	FILE NO.
1										

**Amphenol**

N PANEL RECEIPT. JACK

DRAWING NO. KJ-N6551A1-NT3G-50

ITEM NO.