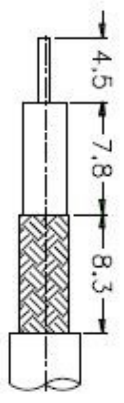
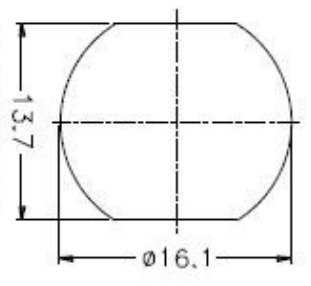


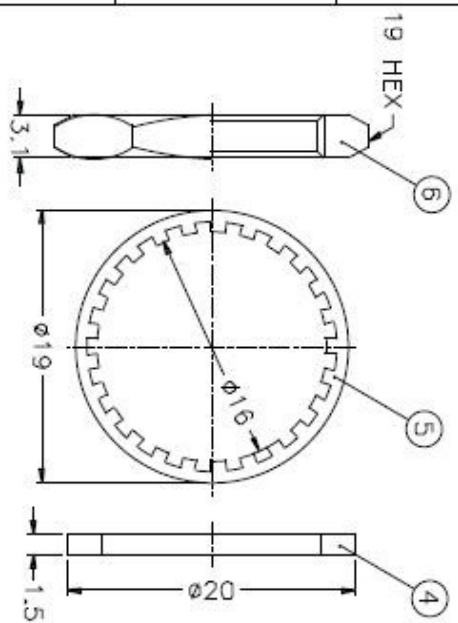
ISS	ZONE	DESCRIPTION \ PER REQUEST \ DATE



RECOMMENDED
CABLE STRIPPING DIM'S

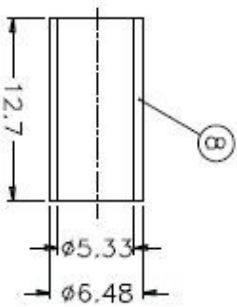
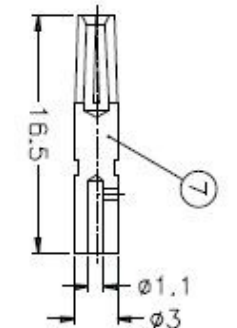
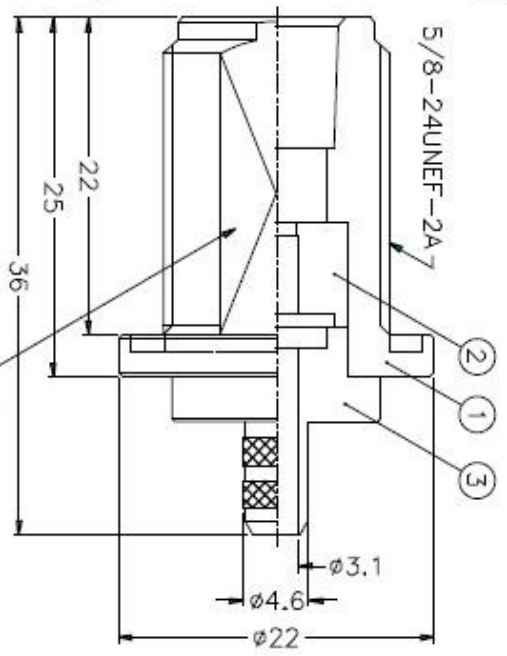


RECOMMENDED
MOUNTING HOLE



NOTES: FINISH (PLATING THICKNESS IN MICRO-INCHES)

1. BRASS PER QQ-B-526
2. BRASS PER QQ-B-513
3. NICKEL PL. 100 MIN. THICK OVER COPPER STRIKE
4. PHOSPHOR BRONZE PER QQ-B-750
5. GOLD PL. 3 MIN. THICK OVER NICKEL PL. 100 MIN. THICK OVER COPPER STRIKE
6. PTFE MIL-P-19466



1. CRIMPED FERRULE
HEX CRIMP SIZE .213"
2. CRIMPED CONTACT PIN
HEX CRIMP SIZE .100"
3. MAX. PANEL THICKNESS=6.5mm

8	FERRULE	COPPER	NOTE 3	1	FR-648/533X 127C
7	CONTACT PIN	NOTE 4	NOTE 5	1	N7000-4-3/11
6	HEX NUT	NOTE 1	NOTE 3	1	HN19-5/8-24X31
5	LOCK WASHER	NOTE 2	NOTE 3	1	LW-19/18X06
4	GASKET	SILUDONE	RED	1	GS-20/16X15
3	BARREL	NOTE 1	NOTE 3	1	N7400-3-46/31 -B
2	INSULATOR	NOTE 6	NATURAL	1	N5000-4T-50-A
1	BODY	NOTE 1	NOTE 3	1	N7400-1

DIMENSIONS ARE IN MILLIMETERS UNLESS OTHERWISE SPECIFIED	
TOLERANCES	
0.5-6	±0.2
6-30	±0.4
30-120	±0.6
120-315	±1
315-1000	±1.6
1000-2000	±2.4

PART NO.	N6421A1-NT3G-1-50
APPROVED	DATE 10-11-01*
CHECKED	DATE 10-11-01*
DRAWN	DATE 10-11-01*

TITLE	N BULKHEAD CRIMP JACK
DRAWING NO.	KJ-N6421A1-NT3G-58CU-50
ITEM NO.	

Amphenol

1 2 3 4 5 6 7 8