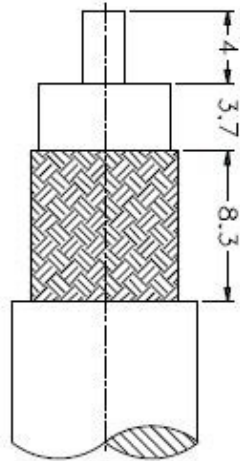
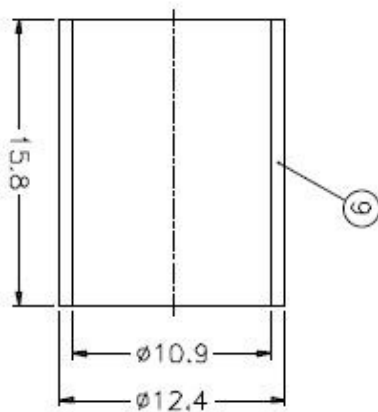
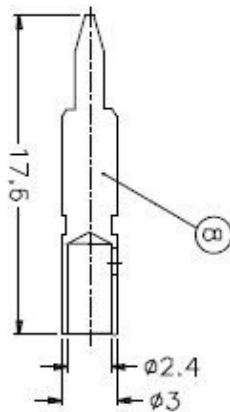
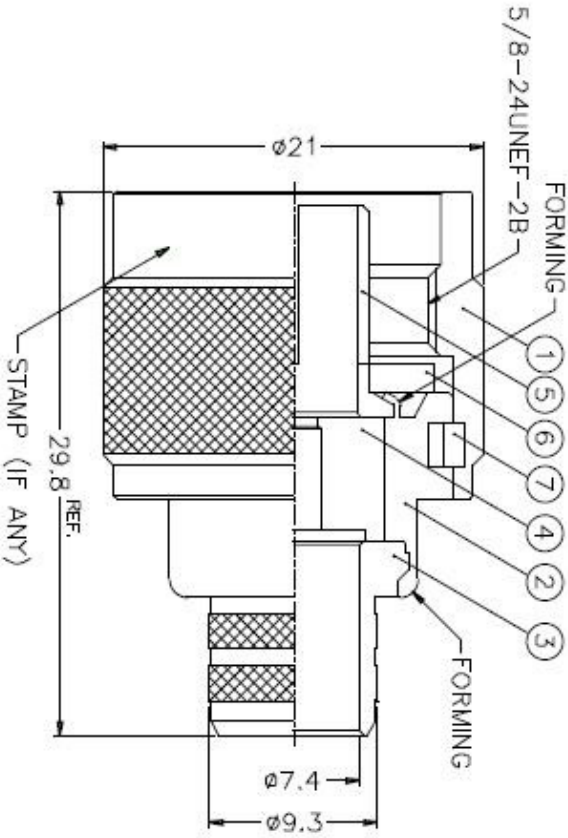


ISS	ZONE	DESCRIPTION \ PER REQUEST \ DATE



RECOMMENDED  
CABLE STRIPPING DIM'S



NOTES: FINISH (PLATING THICKNESS IN MICRO-INCHES)

1. BRASS PER QQ-B-626
2. NICKEL PL. 100 MIN. THICK OVER COPPER STRIKE
3. GOLD PL. 3 MIN. THICK OVER NICKEL PL. 100 MIN. THICK OVER COPPER STRIKE
4. PTFE MIL-P-19468
5. JIS H 3250, C 2700

1. CRIMPED FERRULE
2. CRIMPED CONTACT PIN
3. HEX CRIMP SIZE .100"

9	FERRULE	NOTE 5	NOTE 2	1	FR-124/109X158
8	CONTACT PIN	NOTE 1	NOTE 3	1	NS000-8-3/24-C
7	RETAINER RING	SUS 304	NATURAL	1	NS000-7-C
6	GASKET	SILICONE	RED	1	GS-156/8X15
5	CONTACT BODY	NOTE 1	NOTE 2	1	NS000-5
4	INSULATOR	NOTE 4	NATURAL	1	NS000-4T-50-A
3	BARREL	NOTE 1	NOTE 2	1	NS000-3-93/74
2	BODY	NOTE 1	NOTE 2	1	NS000-2
1	SHELL	NOTE 1	NOTE 2	1	NS000-1-B
NO.	DESCRIPTION	MATERIAL	FINISH	QTY	DRAWING NO.

DIMENSIONS ARE IN MILLIMETERS  
UNLESS OTHERWISE SPECIFIED  
TOLERANCES

- 0.5-6 = ±0.2
- 6-30 = ±0.4
- 30-120 = ±0.6
- 120-315 = ±1
- 315-1000 = ±1.6
- 1000-2000 = ±2.4

PART NO. N1121A1-NT3G-7-50

APPROVED	DATE	10-11-01'
CHECKED	DATE	10-11-01'
DRAWN	DATE	10-11-01'

**Amphenol**

TITLE  
N CRIMP PLUG  
DRAWING NO. KJ-N1121A1-NT3G-213U-50  
TDM NO.

1 2 3 4 5 6 7 8