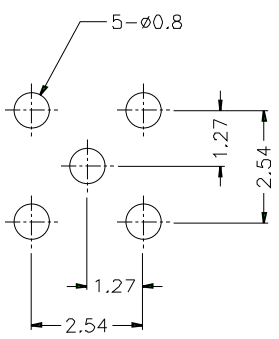
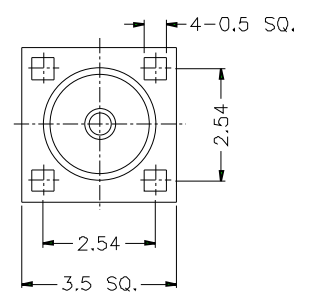
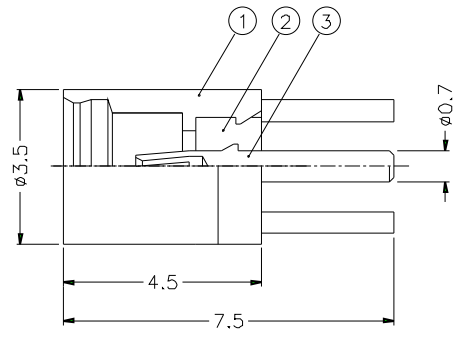


REVISIONS		
ISS	ZONE	DESCRIPTION\PER REQUEST\DATE



PCB MOUNTING HOLES



- NOTES. FINISH (PLATING THICKNESS IN MICRO-INCHES)
1. BRASS PER QQ-B-626
 2. GOLD PL. 3 MIN. THICK OVER NICKEL PL. 100 MIN. THICK OVER COPPER STRIKE
 3. BERYLLIUM COPPER PER QQ-C-530
 4. GOLD PL. 30 MIN. THICK OVER NICKEL PL. 100 MIN. THICK OVER COPPER STRIKE
 5. TEFLON MIL-P-19468

DIMENSIONS ARE IN MILLIMETERS		PART NO.	MMCX6251N1-3GT30G-50
UNLESS OTHERWISE SPECIFIED TOLERANCES		APPROVED	DATE
0.5-6	±0.2		10-11-01'
6-30	±0.4	CHECKED	DATE
30-120	±0.6		10-11-01'
120-315	±1	DRAWN	DATE
315-1000	±1.6		10-11-01'
1000-2000	±2.4		

<h1 style="text-align: center;">Amphenol</h1>			
		TITLE	MMCX P.C. MOUNT JACK
DRAWING NO.		KJ-MMCX6251N1-3GT30G-50	
ITEM NO.			

NO.	DESCRIPTION	MATERIAL	FINISH	Q'TY	DRAWING NO.
3	CONTACT PIN	NOTE 3	NOTE 4	1	MMCX6251N1-3
2	INSULATOR	NOTE 5	NATURAL	1	MMCX6251N1-2T-50
1	BODY	NOTE 1	NOTE 2	1	MMCX6251N1-1-B

SCALE	8/1	ISSUE	A	FILE NO.	
-------	-----	-------	---	----------	--