

75Ω MCX JACKS & PLUGS MCX7 SERIES

SPECIFICATIONS

For complete specifications and recommended Cable Stripping see www.samtec.com?MCX7

- Shell Material:** Brass
- Contact Material:** BeCu
- Insulator Material:** PTFE
- Impedance:** ST = 75Ω ±3Ω
RA = 75Ω ±4Ω
- Frequency Range:** 0-6 GHz
- V.S.W.R:** 1.3 max
(With optimized launch design)
- Working Voltage:** 170 Vrms max
- Dielectric Withstanding:** 500 Vrms min
- Contact Resistance:** Center Contact: 5mΩ max
Outer Contact: 2.5mΩ max
- Insulator Resistance:** 1000 MΩ min
- Engagement Force:** 4.5 lbs max (-ST only)
- Disengagement Force:** 2.3 lbs max (-ST only)
- RoHS Compliant:** Yes

Processing:
Lead-Free Solderable:
Yes

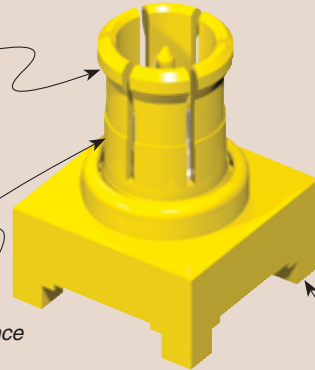
Mates with:
RF179



Choice of
Jacks & Plugs

Precision impedance
tolerances for
3 Gbps applications

Surface mount,
through-hole
and right angle



MCX7

GENDER

TYPE

PLATING

ORIENTATION

TERMINATION

-P
= Plug

-J
= Jack

-P
= PCB
Mount

-H
= 30μ" (0,76μm)
Gold center
contact,
3μ" (0,08μm)
Gold outer
contact

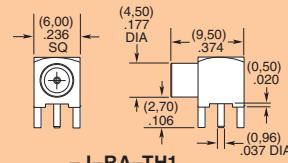
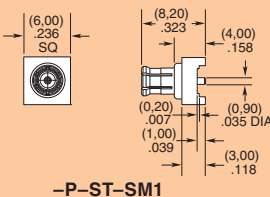
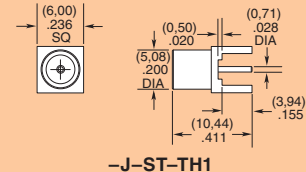
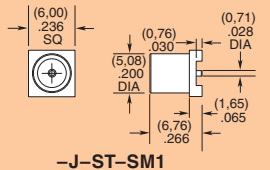
-HN
= 30μ" (0,76μm)
Gold center
contact,
3μ" (0,08μm)
Gold outer
contact,
50μ" (1,27μm)
Nickel body
(Available on
RA only)

-ST
= Straight

-RA
= Right Angle
(-J-TH1 only)

-SM1
= Surface Mount
(-ST only)

-TH1
= Through-hole
(-J only)



Due to technical progress, all designs, specifications and components are subject to change without notice.

WWW.SAMTEC.COM

SAMTEC USA • Tel: 1-800-SAMTEC-9 or 812-944-6733 • Fax: 812-948-5047

SAMTEC GERMANY • Tel: +49 (0) 89 / 89460-0 • Fax: +49 (0) 89 / 89460-299

SAMTEC NORDIC/BALTIC • Tel: +46-84477280 • Fax: +46-87420413

SAMTEC ASIA PACIFIC • Tel: 65 6745-5955 • Fax: 65 6841-1502

SAMTEC HONG KONG • Tel: 852-2600-4850 • Fax: 852-2600-4842

SAMTEC SILICON VALLEY • Tel: 408-395-5900 • Fax: 408-395-1520

SAMTEC FRANCE • Tel: 33 01 60 95 06 60 • Fax: 33 01 60 95 06 61

SAMTEC ISRAEL • Tel: 972-3-7526600 • Fax: 972-3-7526690

SAMTEC CHINA • Tel: 86-21-61103766 • Fax: 86-21-5423 4575

SAMTEC KOREA • Tel: 82-31-717-5685 • Fax: 82-31-717-5681

SAMTEC UK • Tel: 44 01236 739292 • Fax: 44 01236 727113

SAMTEC ITALY • Tel: 39 039 6890337 • Fax: 39 039 6890315

SAMTEC INDIA • Tel: +91-80-3272 1612 • Fax: +91-80-4152 8187

SAMTEC TAIWAN • Tel: 886-2-2735-6109 • Fax: 886-2-2735-5036

SAMTEC SOUTH AFRICA • Tel: 27 11 452 8112 • Fax: 27 86 6714432

SAMTEC ANZ • Tel: 613 9512 7747 • Fax: 613 9512 7745