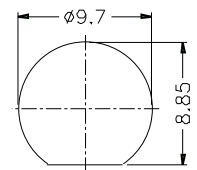
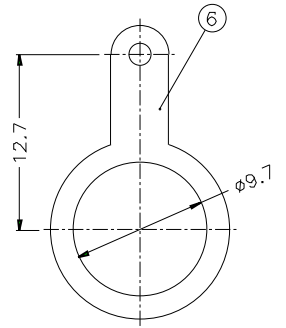
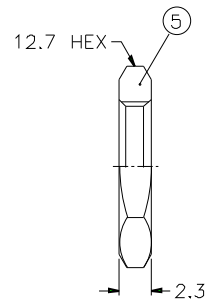
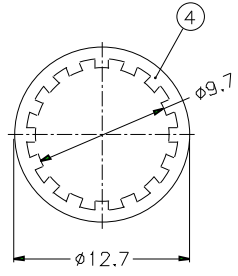
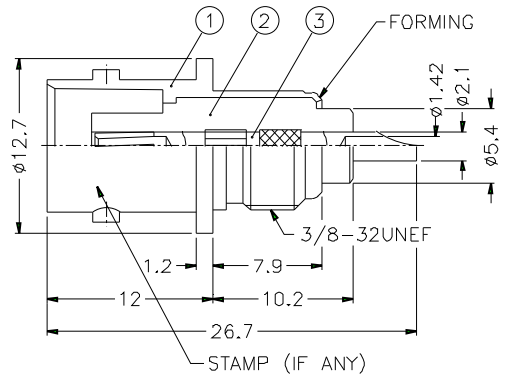


REVISIONS		
ISS	ZONE	DESCRIPTION\PER REQUEST\DATE



RECOMMENDED MOUNTING HOLE



- NOTES: FINISH (PLATING THICKNESS IN MICRO-INCHES)
1. BRASS PER QQ-B-626
 2. BRASS PER QQ-B-613
 3. NICKEL PL. 100 MIN. THICK OVER COPPER STRIKE
 4. PHOSPHOR BRONZE PER QQ-B-750
 5. GOLD PL. 3 MIN. THICK OVER NICKEL PL. 100 MIN. THICK OVER COPPER STRIKE

1. MAX. PANEL THICKNESS=3.2mm

NO.	DESCRIPTION	MATERIAL	FINISH	Q'TY	DRAWING NO.	SCALE	2.5/1	ISSUE	A	FILE NO.																																												
6	SOLDER TAG	NOTE 2	NOTE 3	1	B7310-7	DIMENSIONS ARE IN MILLIMETERS UNLESS OTHERWISE SPECIFIED TOLERANCES 0.5-6 = ±0.2 6-30 = ±0.4 30-120 = ±0.6 120-315 = ±1 315-1000 = ±1.6 1000-2000 = ±2.4																																																
5	HEX NUT	NOTE 1	NOTE 3	1	HN127-3/8-32 X23																																																	
4	LOCK WASHER	NOTE 2	NOTE 3	1	LW-127/97X05																																																	
3	CONTACT PIN	NOTE 4	NOTE 5	1	B7310-3-50																																																	
2	INSULATOR	DELRIN	NATURAL	1	B7310-2-50-C																																																	
1	BODY	NOTE 1	NOTE 3	1	B7310-1																																																	
<table border="1" style="width:100%; border-collapse: collapse;"> <tr> <td colspan="6">PART NO. B6351B1-ND3G-50</td> <td colspan="5" rowspan="4" style="text-align: center; vertical-align: middle;"> <h1 style="margin: 0;">Amphenol</h1> <p style="margin: 0;">TITLE BNC BULKHEAD RECEPT. JACK</p> <p style="margin: 0;">DRAWING NO. KJ-B6351B1-ND3G-50</p> <p style="margin: 0;">ITEM NO.</p> </td> </tr> <tr> <td colspan="6">APPROVED</td> <td colspan="5">DATE 10-11-01'</td> </tr> <tr> <td colspan="6">CHECKED</td> <td colspan="5">DATE 10-11-01'</td> </tr> <tr> <td colspan="6">DRAWN</td> <td colspan="5">DATE 10-11-01'</td> </tr> </table>											PART NO. B6351B1-ND3G-50						<h1 style="margin: 0;">Amphenol</h1> <p style="margin: 0;">TITLE BNC BULKHEAD RECEPT. JACK</p> <p style="margin: 0;">DRAWING NO. KJ-B6351B1-ND3G-50</p> <p style="margin: 0;">ITEM NO.</p>					APPROVED						DATE 10-11-01'					CHECKED						DATE 10-11-01'					DRAWN						DATE 10-11-01'				
PART NO. B6351B1-ND3G-50						<h1 style="margin: 0;">Amphenol</h1> <p style="margin: 0;">TITLE BNC BULKHEAD RECEPT. JACK</p> <p style="margin: 0;">DRAWING NO. KJ-B6351B1-ND3G-50</p> <p style="margin: 0;">ITEM NO.</p>																																																
APPROVED											DATE 10-11-01'																																											
CHECKED											DATE 10-11-01'																																											
DRAWN											DATE 10-11-01'																																											