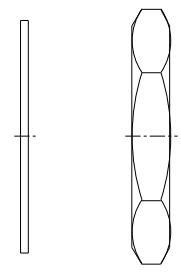
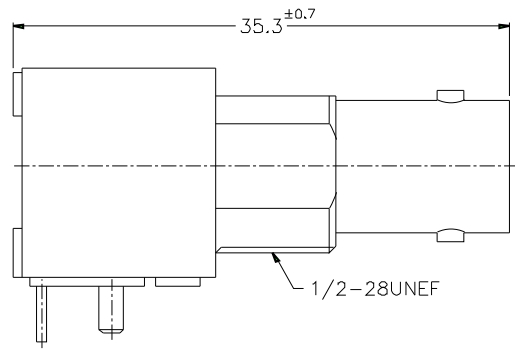
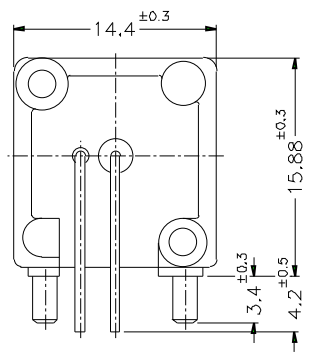
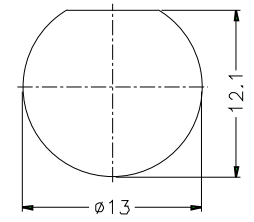
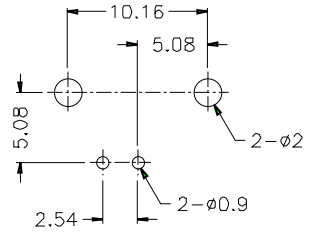


REVISIONS		
ISS	ZONE	DESCRIPTION\PER REQUEST\DATE



1. MAX. PANEL THICKNESS=5mm

- NOTES: FINISH (PLATING THICKNESS IN MICRO-INCHES)
- BRASS PER QQ-B-626
  - BRASS PER QQ-B-613
  - NICKEL PL. 80 MIN. THICK OVER COPPER STRIKE
  - NICKEL PL. 80 MIN. THICK OVER COPPER PL. 300 MIN. THICK
  - PHOSPHOR BRONZE PER QQ-B-750
  - COLD FLASH OVER NICKEL PL. 100 MIN. THICK OVER COPPER STRIKE
  - ZINC DIECAST

DIMENSIONS ARE IN MILLIMETERS	
UNLESS OTHERWISE SPECIFIED TOLERANCES	
0.5-6	±0.2
6-30	±0.4
30-120	±0.6
120-315	±1
315-1000	±1.6
1000-2000	±2.4

PART NO.	B6252HA-NPP3G-50
APPROVED	DATE 10-11-01'
CHECKED	DATE 10-11-01'
DRAWN	DATE 10-11-01'

<b>Amphenol</b>	
TITLE	BNC R/A PC MOUNT RECEPT. JACK
DRAWING NO.	KJ-B6252HA-NPP3G-50
ITEM NO.	

NO.	DESCRIPTION	MATERIAL	FINISH	Q'TY	DRAWING NO.
5	HEX NUT	NOTE 1	NOTE 3	1	HN14-1/2-28X25
4	LOCK WASHER	NOTE 2	NOTE 3	1	LW-15B/13X05
3	CONTACT PIN	NOTE 5	NOTE 6	1	B6252HA-NPP3G
2	INSULATOR	P.P.	NATURAL		-50-G
1	BODY	NOTE 7	NOTE 4		

NO.	DESCRIPTION	MATERIAL	FINISH	Q'TY	DRAWING NO.	SCALE	2.5/1	ISSUE	A	FILE NO.
-----	-------------	----------	--------	------	-------------	-------	-------	-------	---	----------