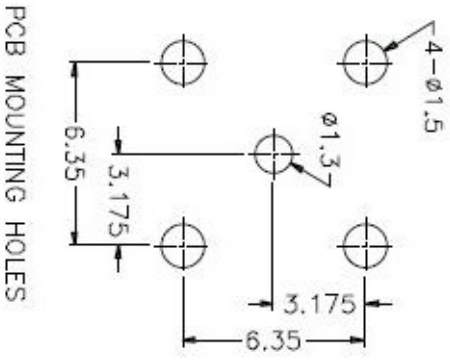
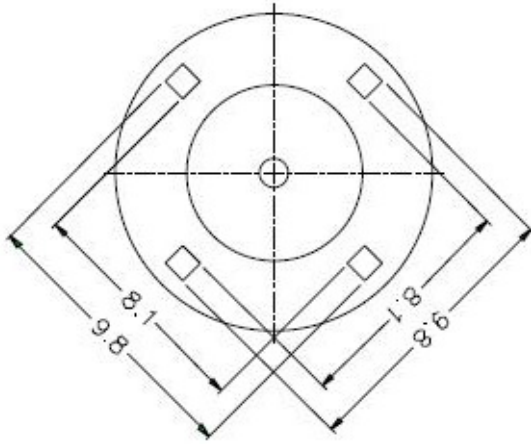
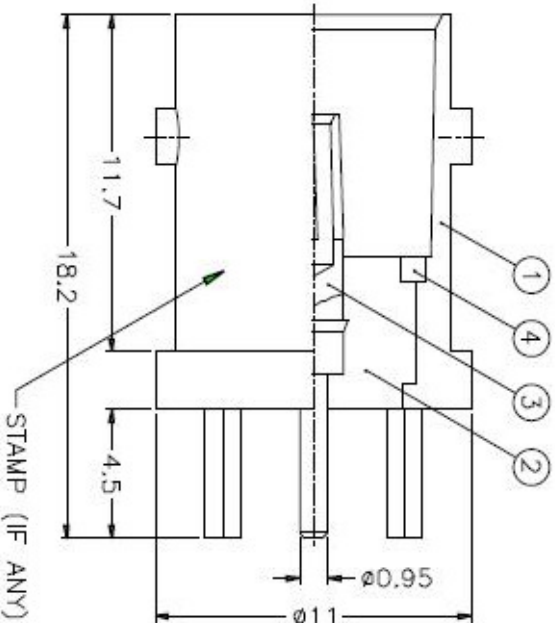


1	REVISIONS	2	3	4	5	6	7	8
ISS	ZONE	DESCRIPTION\PER REQUEST\DATE						



NOTES: FINISH (PLATING THICKNESS IN MICRO-INCHES)

1. BRASS PER QQ-B-626
2. BRASS PER QQ-B-613
3. NICKEL PL. 100 MIN. THICK OVER COPPER STRIKE
4. PHOSPHOR BRONZE PER QQ-P-750
5. GOLD PL. 3 MIN. THICK OVER NICKEL PL. 100 MIN. THICK OVER COPPER STRIKE
6. PTFE MIL-P-19468

DIMENSIONS ARE IN MILLIMETERS UNLESS OTHERWISE SPECIFIED	
0.5-6	±0.2
6-30	±0.4
30-120	±0.6
120-315	±1
315-1000	±1.6
1000-2000	±2.4

PART NO.	B6251C1-NT3G-75
APPROVED	DATE 10-11-01'
CHECKED	DATE 10-11-01'
DRAWN	DATE 10-11-01'

TITLE	BNC P.C. MOUNT RECEPT. JACK
DRAWING NO.	KJ-B6251C1-NT3G-75
ITEM NO.	

4	LOCK RING	NOTE 2	NOTE 3	1	B7700-4
3	CONTACT PIN	NOTE 4	NOTE 5	1	B7700-3
2	INSULATOR	NOTE 6	NATURAL	1	B7700-2T-75
1	BODY	NOTE 1	NOTE 3	1	B7700-1-A

NO.	DESCRIPTION	MATERIAL	FINISH	QTY	DRAWING NO.	SCALE	4/1	ISSUE	A	FILE NO.
1				2		3			4	