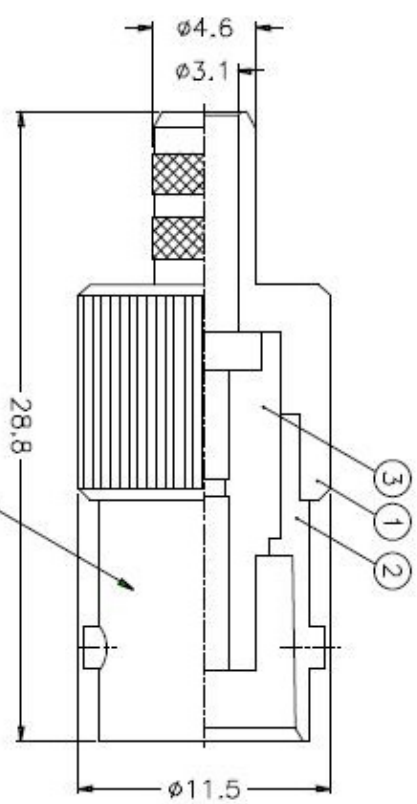
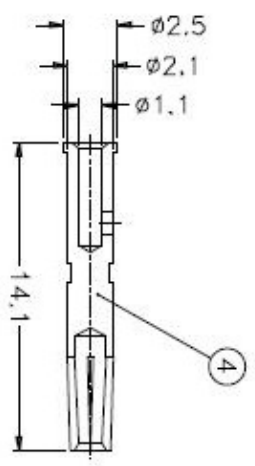
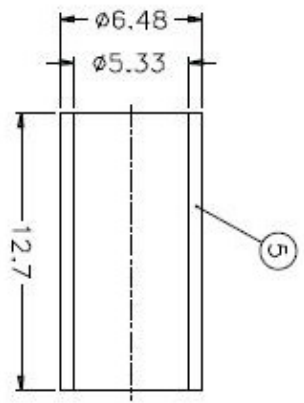
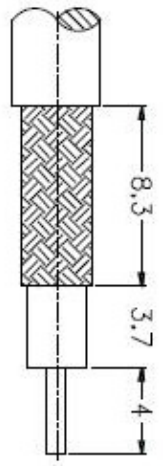


ISS	ZONE	DESCRIPTION \ PER REQUEST \ DATE



NOTES: FINISH (PLATING THICKNESS IN MICRO-INCHES)  
 1. BRASS PER QQ-B-626  
 2. NICKEL PL. 100 MIN. THICK OVER COPPER STRIKE  
 3. PHOSPHOR BRONZE PER QQ-B-750  
 4. GOLD PL. 3 MIN. THICK OVER NICKEL PL. 100 MIN. THICK  
 5. PTFE MIL-P-19468

1. CRIMPED FERRULE  
 HEX CRIMP SIZE .213"  
 2. CRIMPED CONTACT PIN  
 HEX CRIMP SIZE .068"  
 STAMP (IF ANY)

# Amphenol

NO.	DESCRIPTION	MATERIAL	FINISH	Q'TY	DRAWING NO.	SCALE	3/1	ISSUE	A	FILE NO.
5	FERRULE	COPPER	NOTE 2	1	FR-648/533X					
4	CONTACT PIN	NOTE 3	NOTE 4	1	B74000-8-25/11					
3	INSULATOR	NOTE 5	NATURAL	1	B74000-5T-50					
2	BODY	NOTE 1	NOTE 2	1	B74000-2					
1	HOUSING	NOTE 1	NOTE 2	1	B70000-1-46/31					

DIMENSIONS ARE IN MILLIMETERS		PART NO. B6121A1-NT3G-1-50	
UNLESS OTHERWISE SPECIFIED		APPROVED	DATE
TOLERANCES		CHECKED	DATE
0.5-6 = ±0.2	6-30 = ±0.4	DRAWN	DATE
30-120 = ±0.6	120-315 = ±1		
315-1000 = ±1.6	1000-2000 = ±2.4		

TITLE		DRAWING NO.	
BNC CRIMP JACK		KJ-B6121A1-NT3G-58CU-50	
ITEM NO.			

1 2 3 4 5 6 7 8