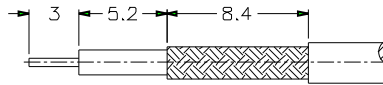
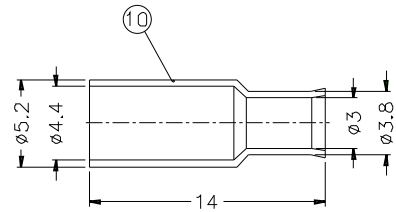
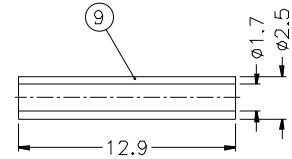
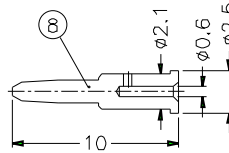
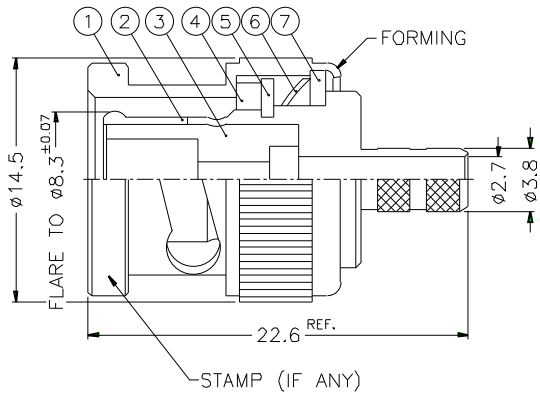


ISS		ZONE		REVISIONS	
ISS	ZONE	DESCRIPTION	PER REQUEST	DATE	



RECOMMENDED  
CABLE STRIPPING DIM'S



NOTES: FINISH (PLATING THICKNESS IN MICRO-INCHES)

1. BRASS PER 00-B-626
2. BRASS PER 00-B-613
3. NICKEL PL. 100 MIN. THICK OVER COPPER STRIKE
4. NICKEL PL. 200 MIN. THICK OVER COPPER STRIKE
5. GOLD PL. 3 MIN. THICK OVER NICKEL PL. 100 MIN. THICK OVER COPPER STRIKE
6. JIS H 3260, C 3501

1. CRIMPED FERRULE  
HEX CRIMP SIZE .178"
2. CRIMPED CONTACT PIN  
HEX CRIMP SIZE .068"

NO.	DESCRIPTION	MATERIAL	FINISH	Q'TY	DRAWING NO.	SCALE	3/1	ISSUE	A	FILE NO.
10	FERRULE	NOTE 6	NOTE 3	1	FR-52/44-38/3X 14					
9	SLEEVE	DELRIN	NATURAL	1	SL-25/17X129					
8	CONTACT PIN	NOTE 1	NOTE 5	1	B3000-B-25/D6					
7	WASHER	NOTE 2	NOTE 3	1	WS-128/9X08					
6	SPRING	SK5	NOTE 4	1	B50000-6					
5	RETAINER RING	NOTE 1	NOTE 3	1	B50000-5					
4	GASKET	RUBBER	RED	1	GS-115/8X15					
3	INSULATOR	DELRIN	NATURAL	1	B50002-3-50					
2	BODY	NOTE 1	NOTE 3	1	B50002-2-38/27					
1	SHELL	NOTE 1	NOTE 3	1	B50000-1-B					

DIMENSIONS ARE IN MILLIMETERS  
UNLESS OTHERWISE SPECIFIED  
TOLERANCES  
0.5-6 = ±0.2  
6-30 = ±0.4  
30-120 = ±0.6  
120-315 = ±1  
315-1000 = ±1.6  
1000-2000 = ±2.4

PART NO.	B1121E1-ND3G-5-50
APPROVED	DATE 10-11-01'
CHECKED	DATE 10-11-01'
DRAWN	DATE 10-11-01'

<b>Amphenol</b>	
TITLE	BNC CRIMP PLUG (FOR RG-174/U,188A/U,316/U)
DRAWING NO.	KJ-B1121E1-ND3G-316U-50
ITEM NO.	