

4

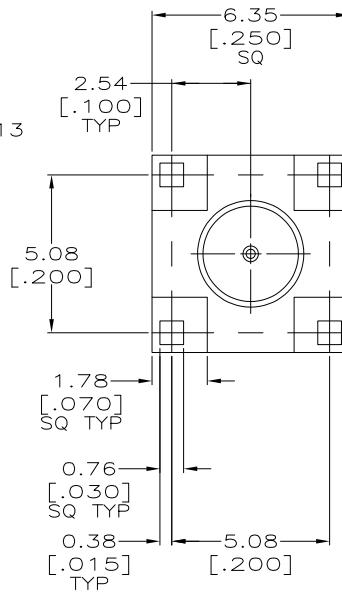
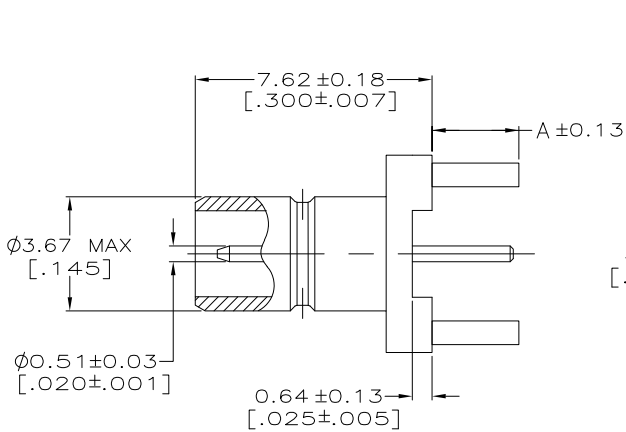
3

2

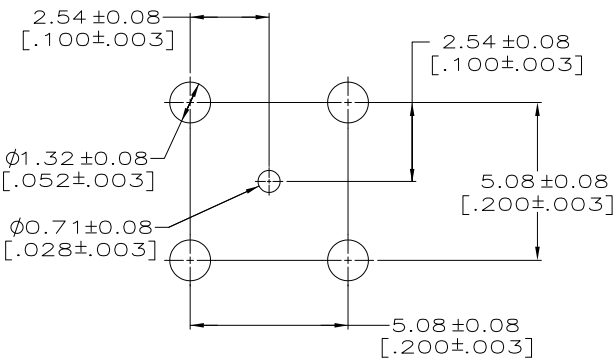
1

THIS DRAWING IS UNPUBLISHED. RELEASED FOR PUBLICATION
 © COPYRIGHT 2005 BY TYCO ELECTRONICS CORPORATION. ALL RIGHTS RESERVED.

LOC	DIST	REVISIONS				
P	LTR	DESCRIPTION	DATE	DWN	APVD	
AJ	16	B	REVISED PER ECO 07-017702 & 0514-0457-04	07AUG2007	DW	JL



- ⚠ MATERIALS:
BODY: BRASS PER QQ-B-626.
CONTACT: BRASS PER QQ-B-626.
DIELECTRIC: TEFLON PER ASTM-D-1710.
- ⚠ FINISHES:
BODY: GOLD PER MIL-G-45204.
CONTACT: GOLD PER MIL-G-45204.
- ⚠ FINISHES:
BODY: GOLD FLASH PER MIL-G-45204
OVER NICKEL PER QQ-N-290.
CONTACT: GOLD PER MIL-G-45204.
- ⚠ SEE SEPERATE RESTRICTED CUSTOMER DRAWING WITH THIS PART NUMBER.



RECOMMENDED PCB CONFIGURATION

—	—	415504-6
3.05 [.120]	⚠	415504-4
3.05 [.120]	⚠	415504-3
2.11 [.083]	⚠	415504-2
2.11 [.083]	⚠	415504-1
A	FINISH	PART NUMBER

OBSELETE

THIS DRAWING IS A CONTROLLED DOCUMENT.		DWN		27JUN96		Tyco Electronics		Tyco Electronics Corporation	
DIMENSIONS: mm [INCHES]		CHK		28JUN96		Harrisburg, PA 17105-3608		NAME	
TOLERANCES UNLESS OTHERWISE SPECIFIED:		G. MICHAEL		28JUN96		PRODUCT SPEC		STRAIGHT JACK, PCB, 75 OHM, MINI-SMB	
0 PLC ± -		APVD		G. MICHAEL		APPLICATION SPEC		SIZE	
1 PLC ± -		PRODUCT SPEC		—		CAGE CODE		DRAWING NO	
2 PLC ± 0.05 [.002]		WEIGHT		—		A3		00779	
3 PLC ± -		CUSTOMER DRAWING		SCALE		8:1		SHEET	
4 PLC ± -		RESTRICTED TO		—		1		OF 1	
ANGLES ± -		REV		B		—		—	