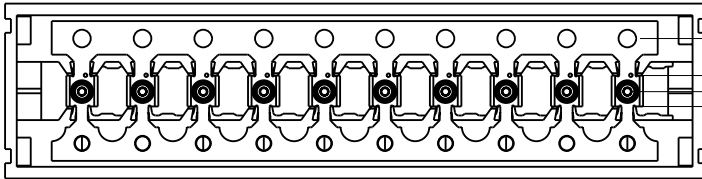
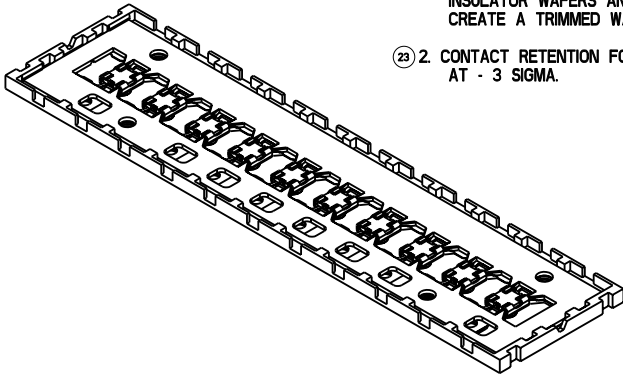


NOTES

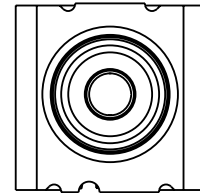
1. STRIP TO BE ASSEMBLED AND CRIMPED AS SHOWN, THEN INSULATOR WAFERS AND CONTACT STRIPS REMOVED TO CREATE A TRIMMED WAFER ASSEMBLY

2. CONTACT RETENTION FORCE 0.5N MIN AT - 3 SIGMA. (SPC)

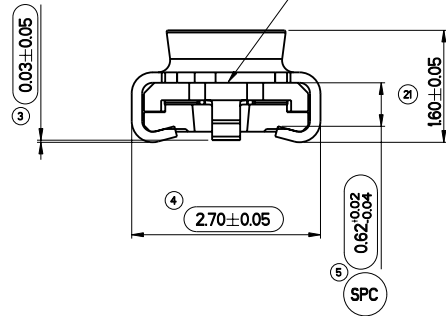


STAGE 1 - PRECUT CONDITION

① 3.17^{+0.01}_{-0.02} WAFER TRIM POSITION
 4.55^{+0.03} REF
 ② 5.83^{+0.02}_{-0.01} WAFER TRIM POSITION



MAX GAP BETWEEN TOP OF INSULATOR AND UNDERSIDE OF SHELL : 0.03 (2)

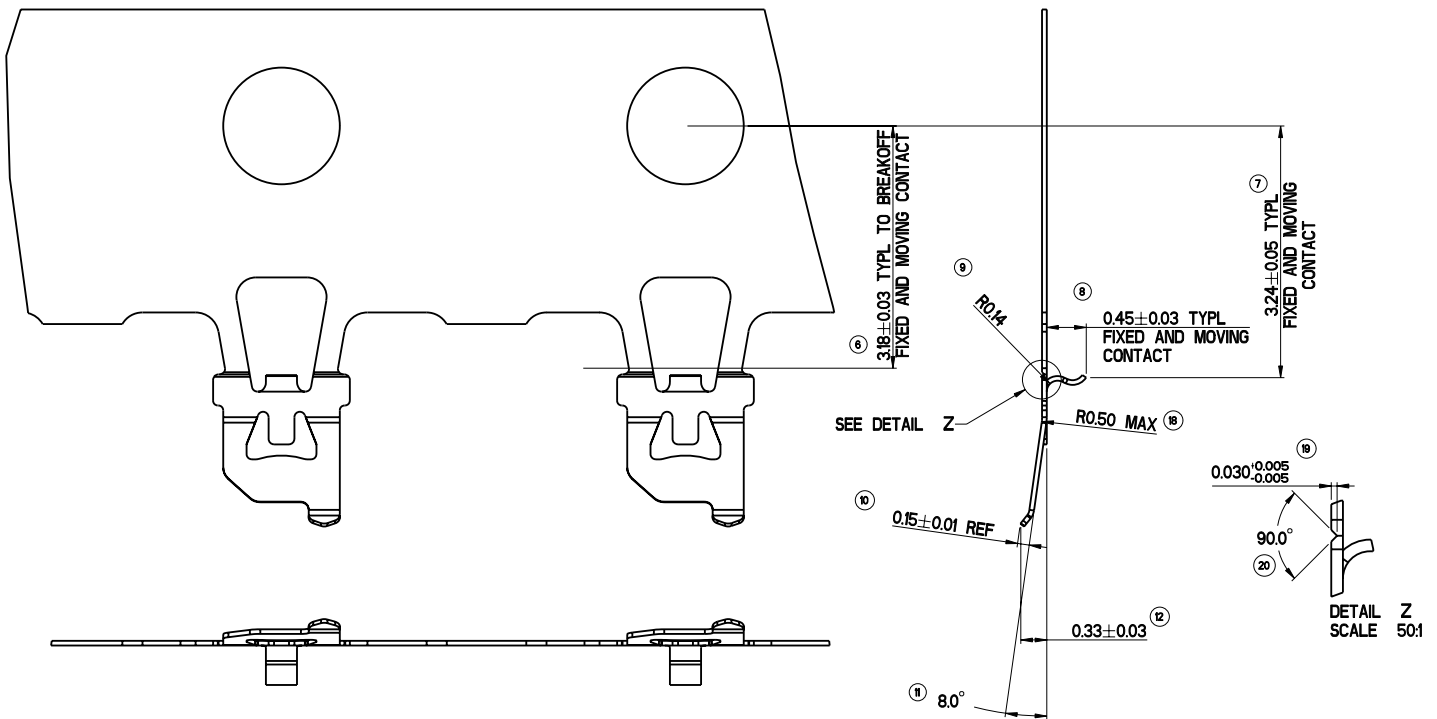


SEE SHEET 2 FOR CONTACT ASSEMBLY BENDING DETAILS
 SEE SHEET 3 FOR TRIMMED STRIP AND INSPECTION DETAILS
 SEE SHEET 4 FOR PACKAGING DETAILS.

ASSEMBLY ALSO APPLIES TO 120220-0190

DO NOT SCALE		Total Volume : 0.000 mm ³	Total Surface Area : mm ²	PDM: 1.8:	A3/B	
Drawn	PJ	08-Sep-04	Material:	Jays Close, Viables Estate, Basingstoke, Hants. RG22 4BA, UK	Pro/E Generic Model	
Checked					Title	
Engineer	PJ				MINI RF CONNECTOR	
Manufact.					ASSEMBLY DRAWING	
Assembly			Treatment:			
Quality				Ref:	120220-0180	
Approvals	Sign	Date	Dimensions in: mm	Cust Spec No:	Scale 18:1 Sheet 1 of 4	
Iss/Rev		Date				Iss/rev
A PROVISIONAL		08-Sep-04				E

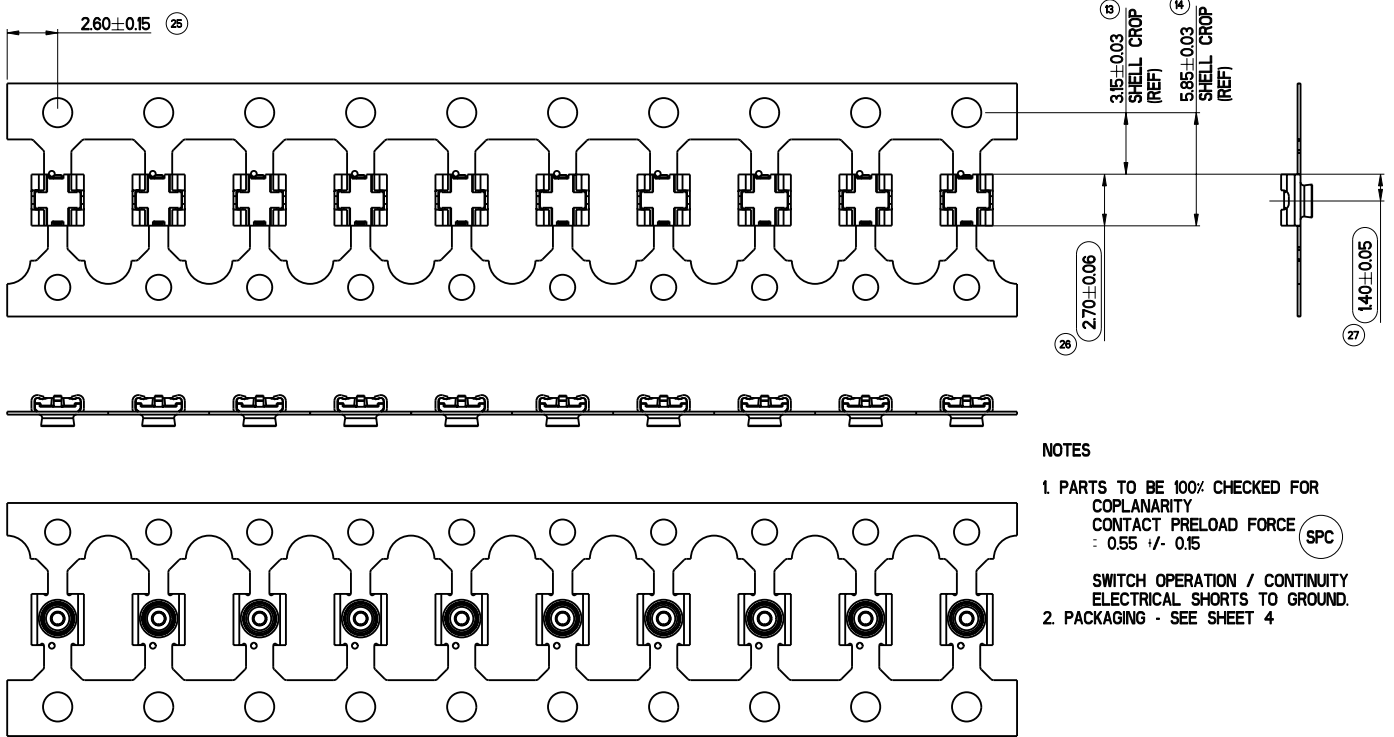
This is issued in strict confidence on condition that it is not used as a basis for manufacture or sale and that it is not copied, reprinted or disclosed to a third party either wholly or in part without the prior written consent of ITT Industries © 08-Sep-04



SEE SHEET 1 FOR UPDATES

DO NOT SCALE		Total Volume : 0.000 mm ³	Total Surface Area : mm ²	PDM: 1.8:	A3/B
Drawn	PJ	08-Sep-04	<p>ITT Industries</p> <p>Jays Close, Viabes Estate, Basingsoke, Hants. RG22 4BA, UK</p>	Pro/E Generic Model	
Checked				Title	
Engineer	PJ			MINI RF CONNECTOR ASSEMBLY DRAWING	
Manufact.					
Assembly					
Quality			Treatment:	Ref:	Scale 18:1
Approvals	Sign	Date	Dimensions in: mm	Cust Spec No:	Sheet 2 of 4
Iss/rev		DCN/ECN or Description	Date	This is issued in strict confidence on condition that it is not used as a basis for manufacture or sale and that it is not copied, reprinted or disclosed to a third party either wholly or in part without the prior written consent of ITT Industries © 08-Sep-04	

Drwg. No. 120220-0180
Iss/rev E



NOTES

- PARTS TO BE 100% CHECKED FOR COPLANARITY
CONTACT PRELOAD FORCE = 0.55 +/- 0.15 (SPC)
SWITCH OPERATION / CONTINUITY ELECTRICAL SHORTS TO GROUND.
- PACKAGING - SEE SHEET 4

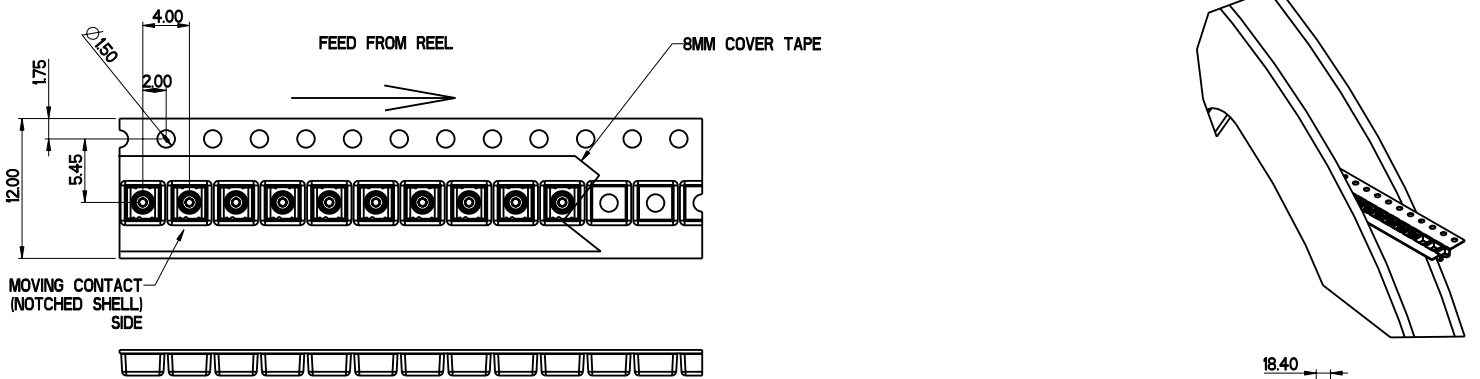
STAGE 2 - TRIMMED STRIP

SEE SHEET 1 FOR UPDATES

DO NOT SCALE		Total Volume : 0.000 mm ³	Total Surface Area : mm ²	PDM: 1.8:	A3/B
Drawn	PJ	08-Sep-04	Material:	Jays Close, Viabes Estate, Basingstoke, Hants. RG22 4BA, UK	Pro/E Generic Model
Checked					Title
Engineer	PJ				MINI RF CONNECTOR ASSEMBLY DRAWING
Manufact.					
Assembly			Treatment:		
Quality					
Approvals	Sign	Date	Dimensions in: mm	Ref:	120220-0180
			Cust Spec No:	Scale 18:1	Sheet 3 of 4

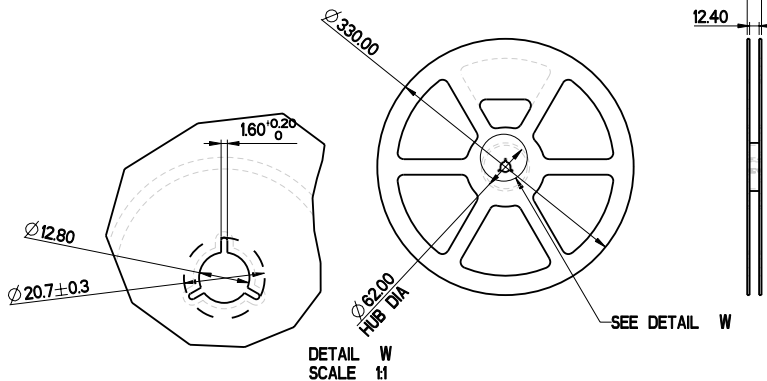
C	TOOLING RELEASE DCN K5767	2-Nov-04
A	PROVISIONAL	08-Sep-04
Iss	DCN/ECN or Description	Date

This is issued in strict confidence on condition that it is not used as a basis for manufacture or sale and that it is not copied, reprinted or disclosed to a third party either wholly or in part without the prior written consent of ITT Industries © 08-Sep-04



NOTES.

1. 8,000 PARTS TO BE PACKED ON Ø330 (13") REELS. PACKAGING EQUIPMENT MUST ALSO HANDLE Ø180 REELS.
2. TAPE AND REEL PACKAGING TO CONFORM TO EIA-481
3. LEADER LENGTH : 360MM, TRAILER LENGTH : 160MM



SEE SHEET 1 FOR UPDATES

DO NOT SCALE		Total Volume : 0.000 mm ³	Total Surface Area : mm ²	PDM:	A3/B
Drawn	PJ	12-Jul-04	<p>ITT Industries</p> <p>Jays Close, Viables Estate, Basingstoke, Hants. RG22 4BA, UK</p>	Pro/E Generic Model	
Checked				Title	
Engineer	PJ			MINI RF CONNECTOR PACKAGING DRAWING	
Manufact.					
Assembly					
Quality			Treatment:	Ref:	Drawg No. 120220-0180
Approvals	Sign	Date	Dimensions in: mm	Cust Spec No:	Scale 3:1 Sheet 4 of 4
Iss/Rev		DCN/ECN or Description		Date	Iss/rev E

This is issued in strict confidence on condition that it is not used as a basis for manufacture or sale and that it is not copied, reprinted or disclosed to a third party either wholly or in part without the prior written consent of ITT Industries © 12-Jul-04