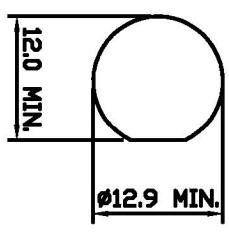
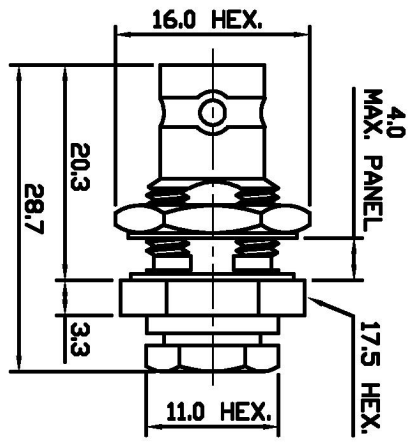


LOC	DIST	REV	DESCRIPTION	DATE	DMN	APD
E	B	P	TR			
		A	RELEASE FOR PRODUCTION	5-9-01	RG	FWK



Mounting Hole

▲ SUPPLIED SEMI-ASSEMBLED (PACK CONTAINS LOOSE PIECES)  
 VIEW SHOWS ASSEMBLED CONNECTOR ASSEMBLY GUIDANCE  
 FOR CABLE TO CONNECTOR ASSEMBLY GUIDANCE  
 REFER TO TYCO INSTRUCTION SHEET IS 411 - 3252

**ALL DIMENSIONS ARE NOMINAL. FOR REFERENCE ONLY.**

DIE SET PART NUMBER	N/A
HANDTOOL PART NUMBER	N/A
FOR USE ON CABLES	RG58C/U, 141A/U, URM43, 76
CONNECTOR PLATING DETAIL	SILVER
CONTACT PLATING DETAIL	SILVER
DIELECTRIC MATERIAL	PTFE
GASKET MATERIAL	WHITE SILICONE RUBBER

THIS DRAWING IS A CONTROLLED DOCUMENT.	
DIMENSIONS: MM	TOLERANCES UNLESS OTHERWISE SPECIFIED:
0 PLG	±
1 PLG	±
2 PLG	±
3 PLG	±
4 PLG	±
FINISH	±
MATERIAL	-

DMN	R. GOODALL	5-9-01	BAG	SINGLE ITEM	1-1478148-0
CHK	F. W-KING	5-9-01	PACK TYPE	DESCRIPTION	PART NUMBER
APD	F. W-KING	5-9-01			
PRODUCT SPEC	108-3435				
APPLICATION SPEC					
WEIGHT					
CUSTOMER DRAWING					
NAME	Tyco Electronics Corporation Stammore, Middlesex, HA7 4RS				
SIZE	A3	DATE	00779	DRAWING NO	1478148
SCALE	NTS	SHEET	1	OF	1
RESTRICTED TO					