

4

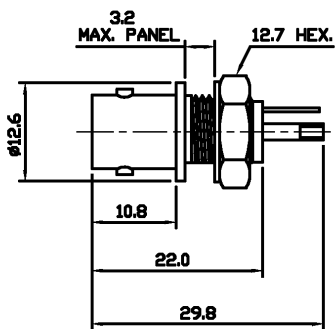
3

2

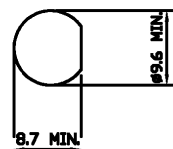
1

THIS DRAWING IS UNPUBLISHED. RELEASED FOR PUBLICATION 18.12.00 - 18.12.00  
 © COPYRIGHT 2001 BY TYCO ELECTRONICS CORPORATION. ALL RIGHTS RESERVED.

| LOC |     | DIST                   |  | REVISIONS |     |      |  |
|-----|-----|------------------------|--|-----------|-----|------|--|
| P   | LTR | DESCRIPTION            |  | DATE      | DWN | APVD |  |
|     | A   | RELEASE FOR PRODUCTION |  | 18.12.00  | RS  | RG   |  |



△ SUPPLIED SEMI-ASSEMBLED (PACK CONTAINS LOOSE PIECES)  
 VIEW SHOWS ASSEMBLED CONNECTOR.



MOUNTING HOLE

|                          |        |
|--------------------------|--------|
| DIE SET PART NUMBER      | N/A    |
| HANDTOOL PART NUMBER     | N/A    |
| FOR USE ON CABLES        | N/A    |
| CONNECTOR PLATING DETAIL | NICKEL |
| CONTACT PLATING DETAIL   | GOLD   |
| DIELECTRIC MATERIAL      | ABS    |
| GASKET MATERIAL          | N/A    |

|  |  |
|--|--|
| THIS DRAWING IS A CONTROLLED DOCUMENT. |  |
| DIMENSIONS:                            | TOLERANCES UNLESS OTHERWISE SPECIFIED: |
| MM                                     | 0 PLC ± -                              |
|  | 1 PLC ± -                              |
|  | 2 PLC ± -                              |
|  | 3 PLC ± -                              |
|  | 4 PLC ± -                              |
|  | ANGLES ± -                             |
| MATERIAL                               | FINISH                                 |
| -                                      | -                                      |

|                         |                                    |               |
|-------------------------|------------------------------------|---------------|
|                         |                                    |               |
| BAG                     | SINGLE ITEM                        | 1-1478048-0   |
| PACK TYPE               | DESCRIPTION                        | PART NUMBER   |
| DWN R SMITH 18.12.00    | Tyco Electronics Corporation       |               |
| GHK R GOODALL 18.12.00  | Stanmore, Middlesex, HA7 4RS       |               |
| APVD R GOODALL 18.12.00 | NAME                               |               |
| PRODUCT SPEC            | BNC INSULATED B/HEAD SOCKET 75 OHM |               |
| 108-3435                | -                                  |               |
| APPLICATION SPEC        | -                                  |               |
| WEIGHT                  | SIZE                               | CAGE CODE     |
| -                       | A3                                 | 00779         |
|                         | DRAWING NO                         | RESTRICTED TO |
|                         | 1478048                            | -             |
| CUSTOMER DRAWING        |                                    | SCALE NTS     |
|                         |                                    | SHEET 1 OF 1  |
|                         |                                    | REV A         |

AMP 1470-19 REV 31MAR2000