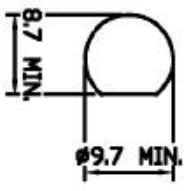
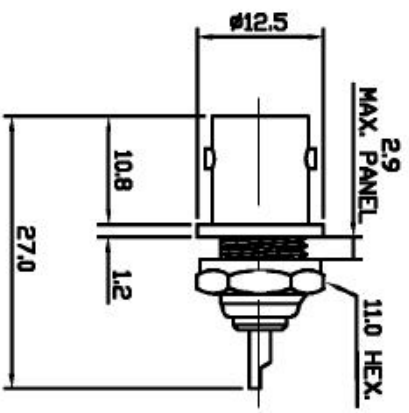


LOC	DIST	REV	DESCRIPTION	DATE	BY	APP'D
E	B	F	LR			
B	B	B	EB00 - 0304 - 01	27-9-01	RG	FWK



MOUNTING HOLE

▲ SUPPLIED SEMI-ASSEMBLED (PACK CONTAINS LOOSE PIECES)  
VIEW SHOWS ASSEMBLED CONNECTOR

ALL DIMENSIONS ARE NOMINAL. FOR REFERENCE ONLY.

DIE SET PART NUMBER	N/A
HANDTOOL PART NUMBER	N/A
FOR USE ON CABLES	N/A
CONNECTOR PLATING DETAIL	SILVER
CONTACT PLATING DETAIL	SILVER
DIELECTRIC MATERIAL	PTFE
GASKET MATERIAL	N/A

THIS DRAWING IS A CONTROLLED DOCUMENT.	
DIMENSIONS:	TOLERANCES (UNLESS OTHERWISE SPECIFIED):
MM	0 PLG ± .1
	1 PLG ± .1
	2 PLG ± .1
	3 PLG ± .1
	4 PLG ± .1
	5 PLG ± .1
	FINISH ± .1
MATERIAL	

DATE	07-SEP-00	BY	R.SMITH
CHK	07-SEP-00	APP'D	R.GOODALL
PRODUCT SPEC	07-SEP-00	NAME	R.GOODALL
APPLICATION SPEC	108-3435	SIZE	A3
HEIGHT		QAGE CODE	00779
CUSTOMER DRAWING		DRAWING NO.	1337493
SCALE	NTS	SHEET	1 OF 1
REV		RESTRICTED TO	

PACK TYPE	SINGLE ITEM	PART NUMBER
BAG		1-1337493-0
DESCRIPTION	BNC BULKHEAD SOCKET 75 Ohm w/o SOLDER TAG	
DESCRIPTION	Tyco Electronics Corporation Stamford, Middlesex, H47 4HS	