

4

3

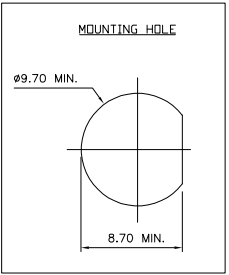
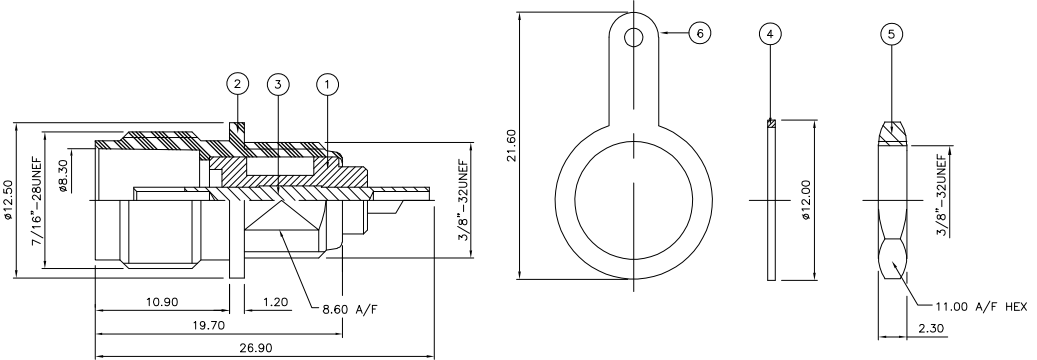
2

1

THIS DRAWING IS UNPUBLISHED. RELEASED FOR PUBLICATION DEC. 2005.  
 © COPYRIGHT 2005 BY TYCO ELECTRONICS CORPORATION. ALL RIGHTS RESERVED.

LOC	DIST	REVISIONS			
P	LTR	DESCRIPTION	DATE	DWN	APVD
C		ECR-05-017969	15DEC05	JMS	FWK

- NOTES:**
- ⚠ PACK IN ACCORDANCE WITH AMP SPEC 107-3275
  - ⚠ 100 TRAY PACK IN ACCORDANCE WITH AMP SPEC 107-3275
  - ⚠ Ag PLATING
- 4 **ELECTRICAL CHARACTERISTICS**
- |                               |                            |
|-------------------------------|----------------------------|
| FREQUENCY RANGE:              | DC - 11 GHz                |
| NOMINAL IMPEDANCE:            | 50 Ohm                     |
| INSULATION RESISTANCE:        | 5000 MOhm                  |
| WORKING VOLTAGE:              | 500 Volts RMS at Sea Level |
| DIELECTRIC WITHSTAND VOLTAGE: | 1500 Volts RMS Max         |
| CONTACT RESISTANCE:           | 1.50 mOhm Max              |
| CENTRE CONTACT:               | 1.00 mOhm Max              |
| OUTER CONTACT:                | 0.20 Max                   |
| INSERTION LOSS db:            |                            |
- 5 **MECHANICAL CHARACTERISTICS**
- |                               |                |
|-------------------------------|----------------|
| MOUNT NUT RECOMMENDED TORQUE: | 2.5N           |
| DURABILITY:                   | 500 Cycles Min |
- 6 **ENVIRONMENTAL CHARACTERISTICS**
- |                        |                  |
|------------------------|------------------|
| OPERATING TEMPERATURE: | -65 to +165 DegC |
|------------------------|------------------|



QTY	1	1	MATERIAL	DESCRIPTION	ITEM
	1	1	BRASS	SOLDER TAG	6
	1	1	BRASS	HEX NUT	5
	1	1	BRASS	WASHER	4
	1	1	BRASS	CONTACT	3
	1	1	BRASS	BODY	2
	1	1	TEFLON	INSULATION	1
	6--0	1--0	MATERIAL	DESCRIPTION	ITEM

THIS DRAWING IS A CONTROLLED DOCUMENT.

DIMENSIONS:	TOLERANCES UNLESS OTHERWISE SPECIFIED:	DWN	J. SANDWELL	15DEC05
mm		CHK	S. PARLOW	15DEC05
		APVD	F. WHEELER-KING	15DEC05
		PRODUCT SPEC		
		APPLICATION SPEC		
		WEIGHT		
MATERIAL	FINISH	CUSTOMER DRAWING		

NAME: TNC BULKHEAD SOCKET FRONT MOUNT 50 & 75 OHM + TAG

SIZE: A3 CAGE CODE: 00779 DRAWING NO: 1337469 RESTRICTED TO: -

SCALE: NTS SHEET: 1 of 1 REV: C