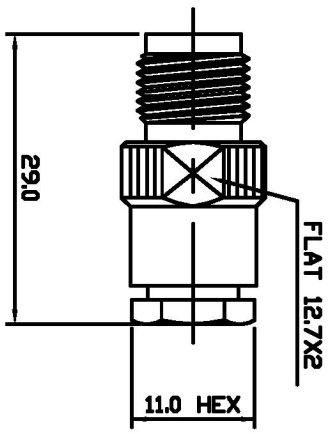


LOC	DIST	REV	DESCRIPTION	DATE	DWG	APPD
E	B	P				
		LTR				
B		B	EB00 - 0304 - 01	26-9-01	RG	FWK



▲ SUPPLIED SEMI-ASSEMBLED (PACK CONTAINS LOOSE PIECES)
 VIEW SHOWS ASSEMBLED CONNECTOR (CABLE OMITTED)
 FOR CABLE TO CONNECTOR ASSEMBLY GUIDANCE
 REFER TO TYCO INSTRUCTION SHEET I.S 411 - 3252

ALL DIMENSIONS ARE NOMINAL. FOR REFERENCE ONLY.

DIE SET PART NUMBER	N/A
HANDTOOL PART NUMBER	N/A
FOR USE ON CABLES	RGSBC/U, 141A/U, URH43, 76 & BELDEN 9907
CONNECTOR PLATING DETAIL	SILVER
CONTACT PLATING DETAIL	SILVER
DIELECTRIC MATERIAL	PTFE
GASKET MATERIAL	WHITE SILICONE RUBBER

THIS DRAWING IS A CONTROLLED DOCUMENT.	
DIMENSIONS: MM	TOLERANCES UNLESS OTHERWISE SPECIFIED:
0 PLG	±
1 PLG	±
2 PLG	±
3 PLG	±
4 PLG	±
FINISH	±
MATERIAL	-

DWG	R.SMITH	07-SB-00	NAME	TNC STRAIGHT JACK SOLDER 50 Ohm
CHK	R.GOODALL	07-SB-00	TYCO ELECTRONICS CORPORATION	
APPD	R.GOODALL	07-SB-00	Stammore, Middlesex, HAV 4RS	
PRODUCT SPEC	108-3435			
APPLICATION SPEC				
WEIGHT				
CUSTOMER DRAWING				
SIZE	A3	00779	DRAWING NO	1337467
SCALE	NTS			
SHEET	1	OF	1	REV
				B