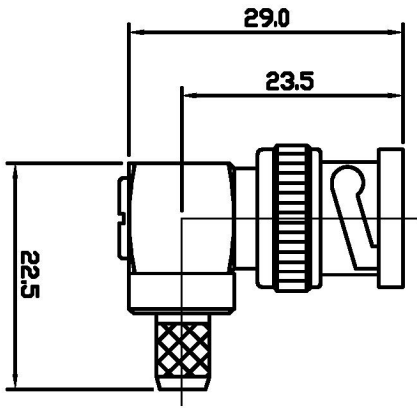


LOC	DIST	REV	DESCRIPTION	DATE	DMN	APVD
E	B	P	LTR			
		B	EB00 - 0304 - 01	24-9-01	RG	FWK



▲ SUPPLIED SEMI-ASSEMBLED (PACK CONTAINS LOOSE PIECES)
 VIEW SHOWS ASSEMBLED CONNECTOR (CABLE OMITTED)
 FOR CABLE TO CONNECTOR ASSEMBLY GUIDANCE
 REFER TO TYCO INSTRUCTION SHEET I.S. 411 - 3247

ALL DIMENSIONS ARE NOMINAL. FOR REFERENCE ONLY.

DIE SET PART NUMBER	9-1478242-0
HANDTOOL PART NUMBER	9-1478240-0
FOR USE ON CABLES	RG59B/U, 62A/U, 140/U
CONNECTOR PLATING DETAIL	SILVER
CONTACT PLATING DETAIL	SILVER
DIELECTRIC MATERIAL	PTFE
GASKET MATERIAL	WHITE SILICONE RUBBER

THIS DRAWING IS A CONTROLLED DOCUMENT.	
DIMENSIONS: MM	TOLERANCES UNLESS OTHERWISE SPECIFIED: ± .1 ± .05 ± .02 ± .01
MATERIAL	FINISH

DMN	R.SMITH	07-SEP-00	NAME	Tyco	Tyco Electronics Corporation
CHK	R.GOODALL	07-SEP-00		Stammore, Middlesex, HA7 4RS	
APVD	R.GOODALL	07-SEP-00	PRODUCT SPEC	108-3435	
			APPLICATION SPEC		
			WEIGHT		
			CUSTOMER DRAWING		
			SIZE	A3	00779
			ORIG CODE	G-1	337438
			DRAWING NO		
			SCALE	NTS	
			SHEET	1	OF 1
			REV		B

BAG	PACK TYPE	SINGLE ITEM	1-1337438-0
	DESCRIPTION		
	PART NUMBER		