

4

3

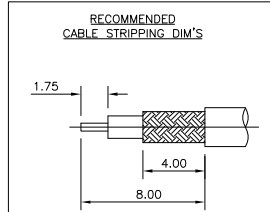
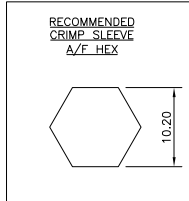
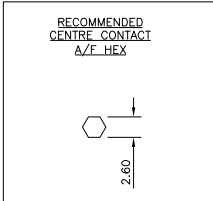
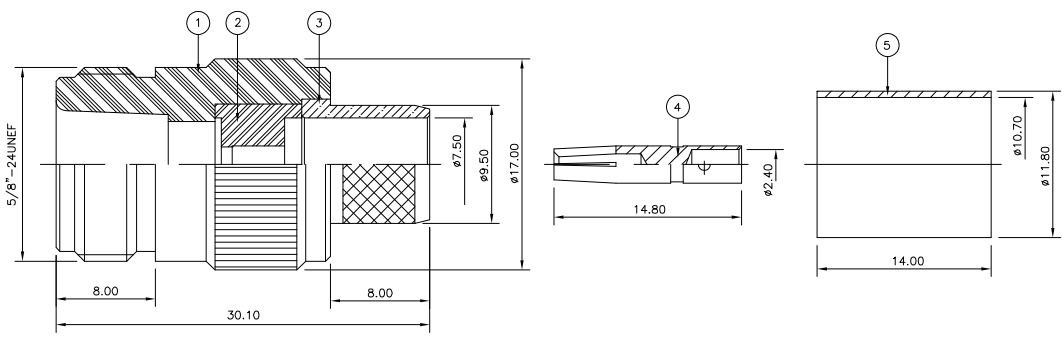
2

1

THIS DRAWING IS UNPUBLISHED. RELEASED FOR PUBLICATION SEP .2005.  
 © COPYRIGHT 2005 BY TYCO ELECTRONICS CORPORATION. ALL RIGHTS RESERVED.

LOC	DIST	REVISIONS			
P	LTR	DESCRIPTION	DATE	DWN	APVD
C		ECR-05-011505	21SEP05	JMS	FWK

- NOTES:**
- ⚠ SINGLE PACK IN ACCORDANCE WITH AMP SPEC 107-3275
  - ⚠ 100 TRAY PACK IN ACCORDANCE WITH AMP SPEC 107-3275
  - ⚠ Ag PLATING
  - 4. HANDTOOL: 9-1478239-0
  - 5. ELECTRICAL CHARACTERISTICS
    - FREQUENCY RANGE: DC - 11 GHz
    - NOMINAL IMPEDANCE: 50 Ohm
    - INSULATION RESISTANCE: 5000 MOhm
    - WORKING VOLTAGE: 1000 Volts RMS at Sea Level
    - DIELECTRIC WITHSTAND VOLTAGE: 2500 Volts RMS Max
    - CONTACT RESISTANCE:
      - CENTRE CONTACT: 1.00 mOhm Max
      - OUTER CONTACT: 1.00 mOhm Max
    - VSWR @ 4GHz: 1.30:1 Max
    - INSERTION LOSS dB @ x 4 GHz: 0.30 Max
  - 6. MECHANICAL CHARACTERISTICS
    - COUPLING NUT RETENTION FORCE: N/A
    - CABLE RETENTION FORCE: 350 Min
    - DURABILITY: 500 Cycles Min
  - 7. ENVIRONMENTAL CHARACTERISTICS
    - OPERATING TEMPERATURE: -65 to +165 DegC



QTY	DESCRIPTION	MATERIAL	DESCRIPTION	ITEM	
1	BRASS	⚠	CRIMP SLEEVE	5	
1	BERYLLIUM COPPER	⚠	SOCKET	4	
1	BRASS	⚠	BODY	3	
1	PTFE	⚠	INSULATOR	2	
1	BRASS	⚠	BODY	1	
6--0	1--0		MATERIAL	DESCRIPTION	ITEM

THIS DRAWING IS A CONTROLLED DOCUMENT.

DIMENSIONS:	TOLERANCES UNLESS OTHERWISE SPECIFIED:
0 PLC	± -
1 PLC	± -
2 PLC	± -
3 PLC	± -
4 PLC	± -
ANGLES	± -

DWN	J. SANDWELL	21SEP05	CHK	S. PARLOW	21SEP05	APVD	F. WHEELER-KING	21SEP05	NAME	TYCO ELECTRONICS CORPORATION
Tyco Electronics Corporation Bideford EX39 4HE										
TYPE-N STRAIGHT JACK CRIMP 50 OHMS PSF 1/4M, RG8A/U, 213/U, URM67, KX4										
SIZE	A3	CAGE CODE	00779	DRAWING NO	C=1337414		RESTRICTED TO			
CUSTOMER DRAWING										
SCALE	NTS		SHEET	1	OF	1	REV	C		