

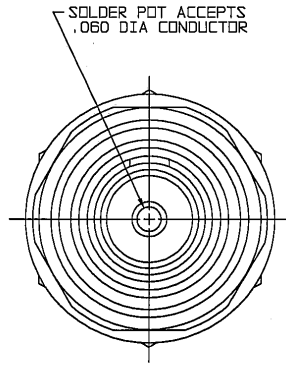
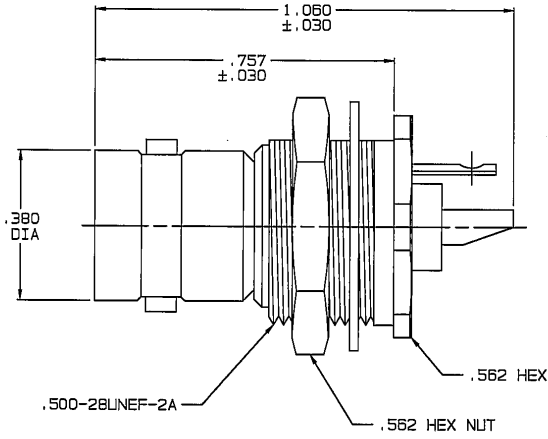
RED INDICATES ORIGINAL

DATA CONTAINED IN THIS DOCUMENT IS PROPRIETARY TO TROMPETER ELECTRONICS INC. AND SHALL NOT BE DISCLOSED, COPIED OR USED FOR PROCUREMENT OR MANUFACTURE WITHOUT EXPRESS WRITTEN PERMISSION.

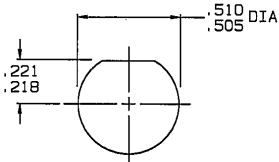
REVISIONS			1-0010		SH 1C
REV	EO	DESCRIPTION	DWN	APPROVED	DATE
D	13257	SH 2; ±.030 TOLERANCE REPLACES ±.003 ON .757 DIMENSION; SEE ECD	DKC	<i>[Signature]</i>	2/18/00

DASH NO	MODEL NO	IMPD OHMS
-1	BJ21	50
-2	UBJ21	75

INCH	MM
.005	0.13
.030	0.76
.060	1.52
.147	3.73
.218	5.54
.221	5.61
.380	9.65
.505	12.83
.510	12.95
.582	14.27
.757	19.23
1.060	26.92



-1 SHOWN



RECOMMENDED
PANEL CUTOUT
SCALE: 2/1

4. 50 & 75 OHM COAXIAL REAR MOUNT INSULATED 2-LUG BNC TYPE SOLDER POT BULKHEAD RECEPTACLE
3. MAX PANEL THK: .147
2. FINISH: TFS-1A (NICKEL)
1. ALL DIM ARE IN INCHES

QTY	DESCRIPTION		PART NUMBER	ITEM
TOL UNLESS SPECIFIED XX ± XXX ± .005 XXXX ± ANGLES ±	TROMPETER ELECTRONICS, INC.		BJ21 / LIBJ21	
DWN	DKC	2-3-00	MATERIAL	CODE IDENT
CHK	<i>[Signature]</i>	2-18-00	14949	DRAWING NO.
ENGR	<i>[Signature]</i>			1-0010
NEXT ASSY	APPR	2-18-00	SCALE 4/1	DATE 5-12-82
				SHEET 1C