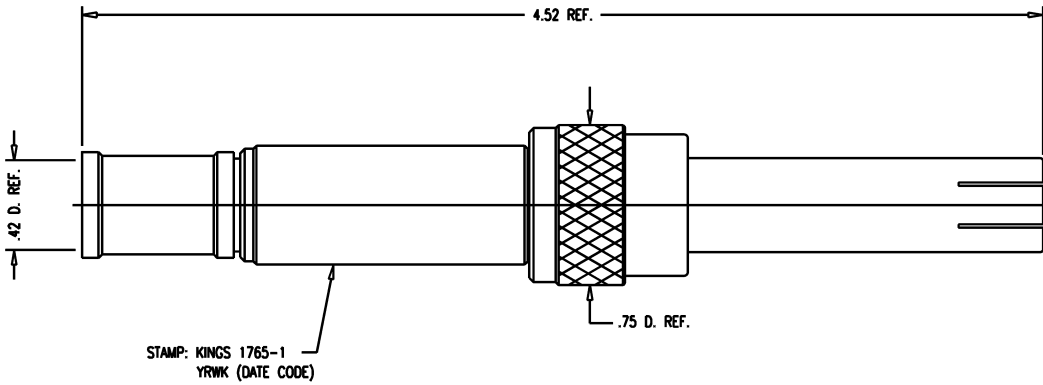


GSD

1765-1



NOTES:

1. FOR USE WITH RG-8, 8A, 11, 11A & 213/U CABLE.
2. FOR CABLING INSTRUCTIONS SEE 3-7-2.
3. FOR CABLE TRIMMING USE KJ-124 & KTD-179.
4. FOR CRIMPING USE DIE KTH-1078.
5. MATERIALS:
 INSULATOR: HIGH DENSITY POLYETHYLENE, MIL-P-22748
 GASKETS: SIL. RUB., ZZ-R-765
 K-GRIP SLEEVE: COM. BRONZE TUBE, ALLOY 220
 CONTACT: BER. COP., ASTM-B-196
 SPRING: STAINLESS STEEL, TYPE 302
 ALL OTHER PARTS: BRASS, ASTM-B16
6. FINISHES:
 CENTER CONTACT: HARD GOLD PLATE PER MIL-G-45204
 SPRING: PASSIVATE PER QQ-P-35
 ALL OTHER METAL PARTS: KINGS TARNISH RESISTANT FINISH (TR-5)
7. ELECTRICAL CHARACTERISTICS:
 NOMINAL IMPEDANCE: NON-CONSTANT
 VOLTAGE RATING: 20 KVDC

REVISIONS

ISSUE	CHANGES
4	CN 34190 C REDRAWN JCA 10/30/92
5	CN 37941 E HVN 11/24/99
6	CN 39710 C DRK 11/22/06

SCALE	2:1	
APPROX SURFACE AREA		
USED ON		
REF:	PLUG, 20 KV	
DRAWN	JCA	DATE 10/30/92
DESIGN	LJ	DATE 11/02/92
APPR.		DATE

KINGS
ELECTRONICS CO., INC.
ROCK HILL, SOUTH CAROLINA 29730

1765-1

GSD