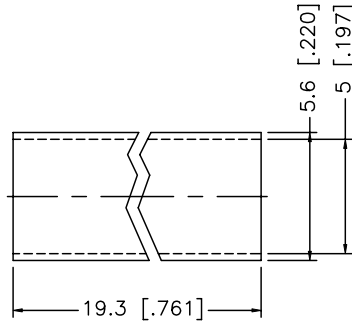
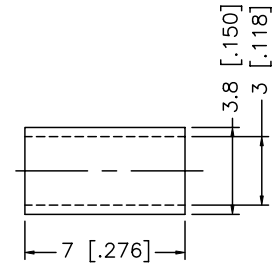
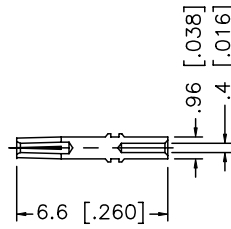
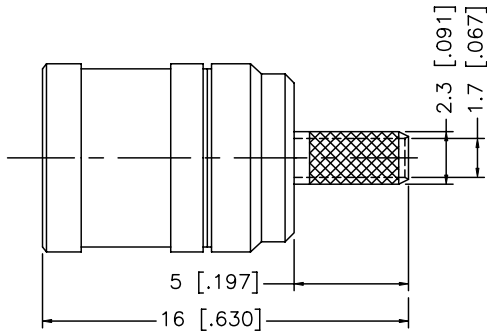
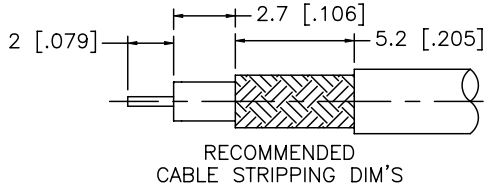



REV.	DATE	DESCRIPTION
A	05/06/99	REFORMAT DRAWING / MODIFY FERRULE



DESCRIPTION	MATERIAL	FINISH	UNLESS OTHERWISE SPECIFIED DIMENSIONS ARE IN MILLIMETERS	APPROVALS	DATE						
1 BODY	BRASS	NICKEL	DIMENSIONS IN [] ARE IN INCHES FOR CUSTOMER REFERENCE ONLY UNLESS OTHERWISE SPECIFIED TOLERANCES FOR MILLIMETERS ARE: 0.5-6 = ± 0.2 6-30 = ± 0.4 30-120 = ± 0.6 120-315 = ± 1 315-1000 = ± 1.6 1000-2000 = ± 2.4	DRAWN	G.R.S.					05/06/99	TITLE
2 INSULATOR	TEFLON	NATURAL		CHECKED			SIZE		(FOR RG-179/U, 187/U CABLE - 75ohms)		
3 CONTACT PIN	BER. COPPER	GOLD		ISSUED			FSCM NO.	DWG. NO.		REV.	
4 FERRULE	BRASS	NICKEL					A	99001		142101.DWG	A
5							SCALE	NA		PART NO.	142101
6							SHEET	1 OF 1			
7											
8				DO NOT SCALE DRAWING							