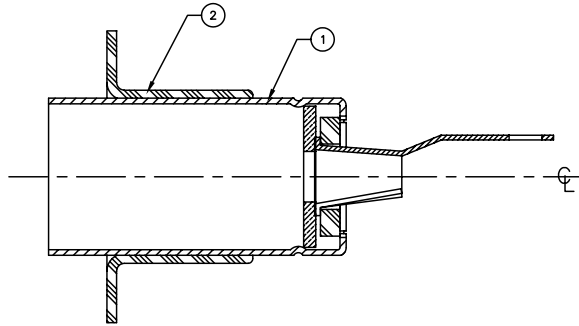
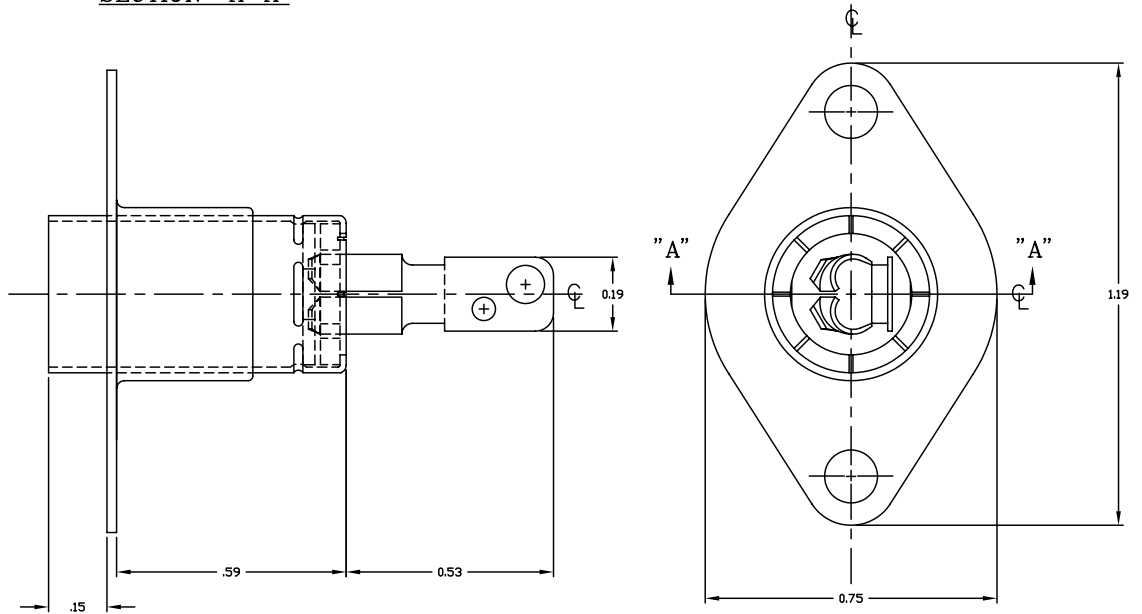


REVISIONS			
SYM	DESCRIPTION	DATE	APPR



SECTION "A-A"



COMPONENT LIST			
DET. QTY.	DESCRIPTION	MATERIAL	PLATING
1	ANTENNA JACK	SEE DWG. NO. 1235	BRIGHT TIN
2	FLANGE (LONG)	1008 STEEL	BRIGHT TIN

MATERIAL	"SEE TABLE"	FINISH	"SEE TABLE"	ABBATRON Electronic Connectors and Hardware 632 Arch Street, Meadville, Pa. 16335	
DIMENSIONAL TOLERANCES <small>(UNLESS OTHERWISE SPECIFIED)</small>		TITLE			
---	.XX	.XXX	.XXX	1207 ANTENNA JACK ASSEMBLY	
FRACTIONS	ANGLES	SCALE		SIZE	DRAWING NUMBER
		5:1		C	SD-1207
HEAT TREAT	CHECKED E. MCKINNEY	DATE 2-11-92	DATE 2-11-92	ISSUE	
PLOT SCALE: 1=1	APPROVED D. MILLER	DATE 2-11-92	DATE 2-11-92		