

4

3

2

1

THIS DRAWING IS UNPUBLISHED.

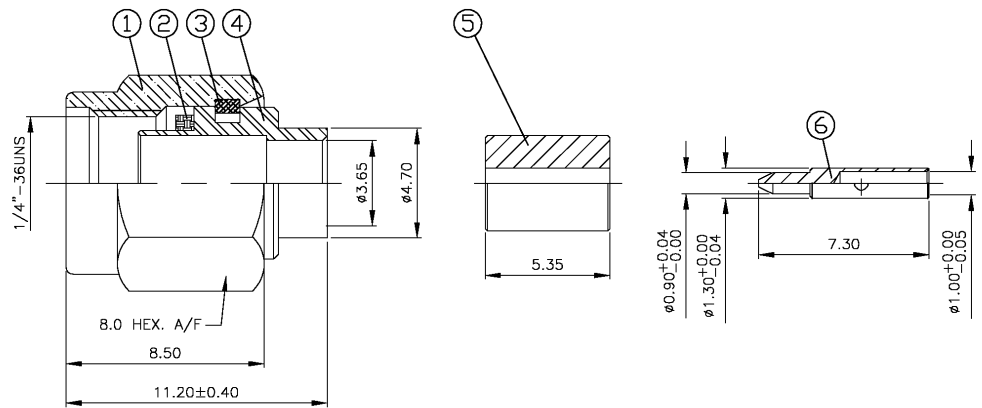
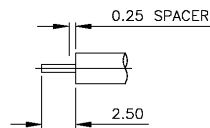
RELEASED FOR PUBLICATION APRIL, 2004.

© COPYRIGHT 2004 BY TYCO ELECTRONICS CORPORATION. ALL RIGHTS RESERVED.

LOC	DIST	REVISIONS			
P	LTR	DESCRIPTION	DATE	DWN	APVD
E	B	A	EBD0-0035-03	28JAN04	RS FWK

## NOTES:

- 1 SINGLE PACK IN ACCORDANCE WITH SPEC 107-3275
- 2 100 TRAY PACK IN ACCORDANCE WITH SPEC 107-3275
- 3 0.08 $\mu$ m Au PLATING OVER 1.27 $\mu$ m Ni PLATING
- 4 0.08 $\mu$ m Au PLATING OVER 1.27 $\mu$ m Ni PLATING OVER 0.76 $\mu$ m Cu PLATING
- 5 0.76 $\mu$ m Au PLATING OVER 1.27 $\mu$ m Ni PLATING OVER 0.76 $\mu$ m Cu PLATING
- 6 PASSIVATED (GOLD PLATED CABLE ENTRY)
- 7 FOR TECHNICAL DATA REFER TO YOUR LOCAL TYCO ELECTRONICS SALES OFFICE
- 8 ALL DIMENSIONS ARE NOMINAL FOR REFERENCE ONLY UNLESS OTHERWISE STATED

RECOMMENDED  
CABLE STRIPPING DIM'S

QUANTITY PER ASSY							PARTS LIST			
	1	1	1	1	1	1	BRASS	△	CENTER CONTACT	6
	1	1	1	1	1	1	PTFE		INSULATOR	5
	1	1	-	-	-	-	BRASS	△	BODY	4
	-	-	1	1	-	-	STAINLESS STEEL	△	BODY	4
	-	-	-	-	1	1	STAINLESS STEEL	△	BODY	4
	1	1	1	1	1	1	STAINLESS STEEL		CIRCLIP	3
	1	1	1	1	1	1	SILICON		GASKET	2
	1	1	-	-	-	-	BRASS	△	SHELL	1
	-	-	1	1	-	-	STAINLESS STEEL	△	SHELL	1
	-	-	-	-	1	1	STAINLESS STEEL	△	SHELL	1
	3--1	3--0	2--1	2--0	1--1	1--0	MATERIAL		DESCRIPTION	ITEM
	△	△	△	△	△	△				

THIS DRAWING IS A CONTROLLED DOCUMENT.		DWN R. SMITH 28JAN04	Tyco Electronics Corporation Bideford, UK, EX39 4HE	
DIMENSIONS: mm	TOLERANCES UNLESS OTHERWISE SPECIFIED:	CHK S. PARLOW 28JAN04	Tyco Electronics	
0 PLC ± -	1 PLC ± -	APVD F. WHEELER-KING 28JAN04	NAME	
2 PLC ± -	3 PLC ± -	PRODUCT SPEC	SMA STRAIGHT PLUG DIRECT SOLDER	
4 PLC ± -	ANGLES ± -	108-3460	NON CAPTIVE CENTRE CONTACT	
MATERIAL	FINISH	APPLICATION SPEC	SIZE	CAGE CODE
SEE TABLE	-	411-3276	A3	00779
		WEIGHT	DRAWING NO	RESTRICTED TO
		-	C-1478903	-
		CUSTOMER DRAWING	SCALE	SHEET
			1:1	1 OF 1
				REV A

AMP 1470-19 REV 31MAR2000