



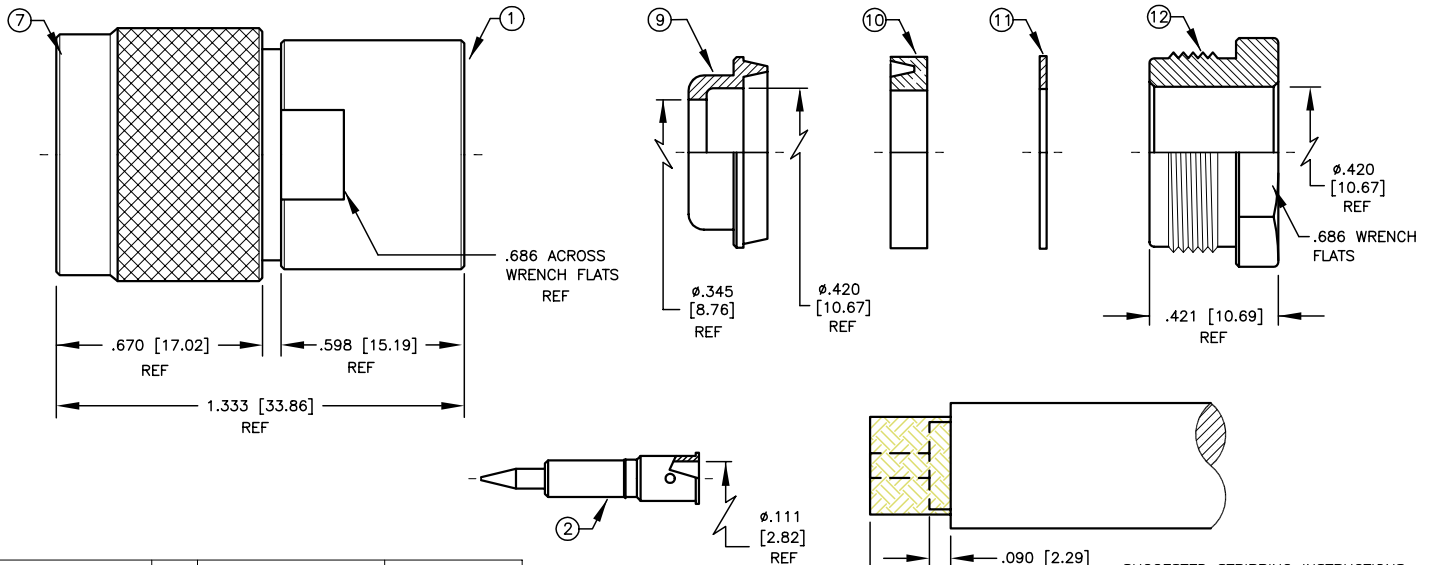
ALL RIGHTS RESERVED. NO PORTION OF THIS PUBLICATION, WHETHER IN WHOLE OR IN PART, CAN BE REPRODUCED WITHOUT THE EXPRESS WRITTEN CONSENT OF SPC TECHNOLOGY.

SPC-F005.DWG

REVISIONS

DOC. NO. SPC-F005 \* Effective: 7/8/02 \* DCP No: 1398

DCP #	REV	DESCRIPTION	DRAWN	DATE	CHECKD	DATE	APPRVD	DATE
809	A	RELEASED	JWM	12/9/02	HO	12/9/02	DJC	12/9/02



ITEM	DESCRIPTION	QTY	MATERIAL	FINISH
12	BACK NUT	1	BRASS	SILVER
11	WASHER	1	BRASS	SILVER
10	GASKET	1	S.I.RUBBER	RED
9	CLAMP	1	BRASS	SILVER
8	PRESS FIT WASHER	1	BRASS	SILVER
7	SHELL	1	BRASS	SILVER
6	RETAINING RING	1	QQB613 (BRASS)	SILVER
5	GASKET	1	S.I.RUBBER	RED
4	DIELECTRIC	1	TEFLON	NONE
3	PRESS FIT GROUND RING	1	BRASS	SILVER
2	PIN	1	BRASS	GOLD
1	BODY	1	BRASS	SILVER

SUGGESTED STRIPPING INSTRUCTIONS  
SUGGESTED CRIMP: .128

SPECIFICATIONS:

IMPEDANCE: 50 OHMS  
WORKING VOLTAGE: 1000 VRMS @ SEA LEVEL  
FREQUENCY RANGE: 0-11 GHz  
INSERTION LOSS: ≤ -.2 dB @ 10 GHz  
VSWR MAX: 1.3:1 @ 9 GHz  
FOR BELDEN 8214, 9913, 9914, RG-8/U TYPE, RG-393/U, CAROL C1180, TIMES AA-5886 & LMR-400 CABLE

DISCLAIMER: ALL STATEMENTS AND TECHNICAL INFORMATION CONTAINED HEREIN ARE BASED UPON INFORMATION AND/OR TESTS WE BELIEVE TO BE ACCURATE AND RELIABLE. SINCE CONDITIONS OF USE ARE BEYOND OUR CONTROL, THE USER SHALL DETERMINE THE SUITABILITY OF THE PRODUCT FOR THE INTENDED USE AND ASSUME ALL RISK AND LIABILITY WHATSOEVER IN CONNECTION THEREWITH.	TOLERANCES: UNLESS OTHERWISE SPECIFIED, DIMENSIONS ARE FOR REFERENCE PURPOSES ONLY.	DRAWN BY: Jeff McVicker	DATE: 12/9/02	DRAWING TITLE: <b>"N" Male Clamp Plug</b>			
		CHECKED BY: Hisham Odish	DATE: 12/9/02	SIZE <b>A</b>	DWG. NO. <b>SPC4277</b>	ELECTRONIC FILE <b>84N1266.dwg</b>	REV <b>A</b>
		APPROVED BY: Daniel Carey	DATE: 12/9/02	SCALE: NTS		U.O.M.: INCHES [mm]	
					SHEET: 1 OF 1		