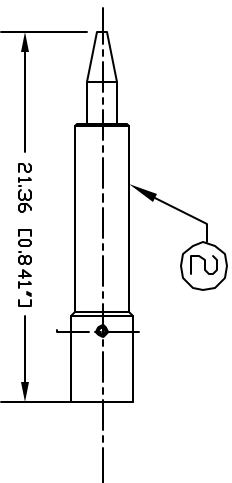
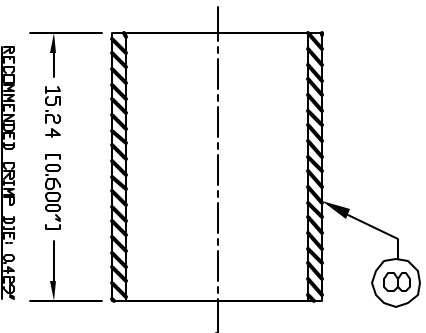
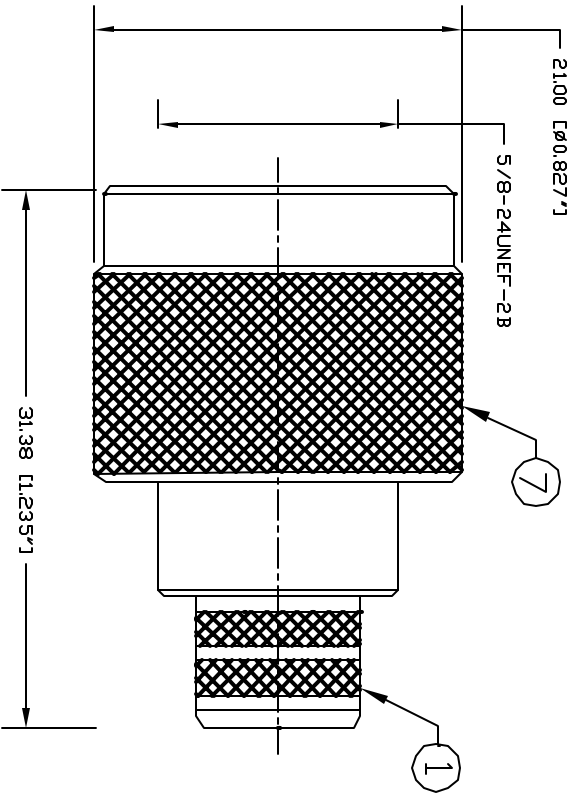


ALL RIGHTS RESERVED. NO PORTION OF THIS PUBLICATION, WHETHER IN WHOLE OR IN PART, CAN BE REPRODUCED WITHOUT THE EXPRESS WRITTEN CONSENT OF OSPC TECHNOLOGY.

SPC-F005.DWG

REVISONS		DESCRIPTION		DRAWN		CHECKED		DATE		APPRVD		DATE	
DCP #	REV	XXXX	XXXX	XXXX	XXXX	XXXX	XXXX	XXXX	XXXX	XXXX	XXXX	XXXX	XXXX



RECOMMENDED CRIMP DIE: 0128\*  
SOLDER ONLY IF USING ON 5E CABLE GROUPE

RECOMMENDED CRIMP DIE: 0442\*

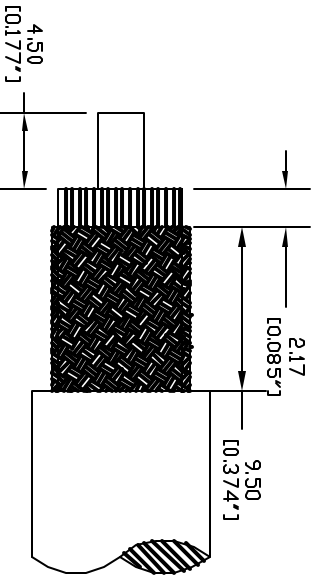
### SPECIFICATIONS

- IMPEDANCE : 50 Ohms
- FREQUENCY RANGE : 0-11 GHz
- VSWR : 1.3 Maximum @ 9 GHz
- INSERTION LOSS : 0.06 dB maximum fGHz
- WORKING VOLTAGE : 1k V rms @ sea level
- TEMPERATURE RANG : -65°C to 85°C
- INSULATION RESISTANCE : 1 Sk M Ohms/minute

(E) RG-8, 8A, 213/U, ALPHA 9008, 9213, BELDEN 9008, 9251, 9880, 89880, INTERCOMP 4085, 22132, TIMES AA-4478  
(D) BELDEN 8214, 9913, 9913F, 9914, RG-8/U TYPE, CAROL C1180, TIMES AA-5886 & LMR-400 CABLE



RECOMMENDED STRIPPING INSTRUCTIONS



### TOLERANCES:

UNLESS OTHERWISE SPECIFIED, DIMENSIONS ARE FOR REFERENCE PURPOSES ONLY.

DISCLAIMER:  
ALL STATEMENTS AND TECHNICAL INFORMATION CONTAINED HEREIN ARE BASED UPON INFORMATION AND/OR TESTS WE BELIEVE TO BE ACCURATE AND RELIABLE. SINCE CONDITIONS OF USE ARE BEYOND OUR CONTROL, THE USER SHALL DETERMINE THE SUITABILITY OF THE PRODUCT FOR THE INTENDED USE AND ASSUME ALL RISK AND LIABILITY WHATSOEVER IN CONNECTION THEREWITH.

DRAWN BY:	DATE:
XXXX	30-09-08
CHECKED BY:	DATE:
XXXX	30-09-08
APPROVED BY:	DATE:
XXXX	30-09-08

### DRAWING TITLE:

N PLUG, CRIMP

SIZE	DWG. NO.	ELECTRONIC FILE	REV
A	SPC13831	12J5030	XX
SCALE:	NTS	U.D.M., INCHES [MM]	SHEET: 1 OF