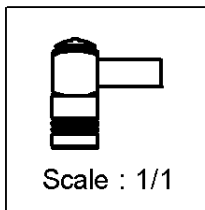
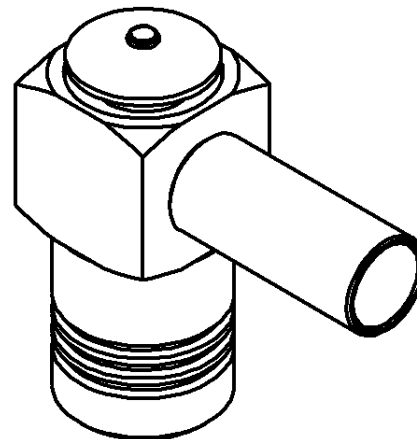
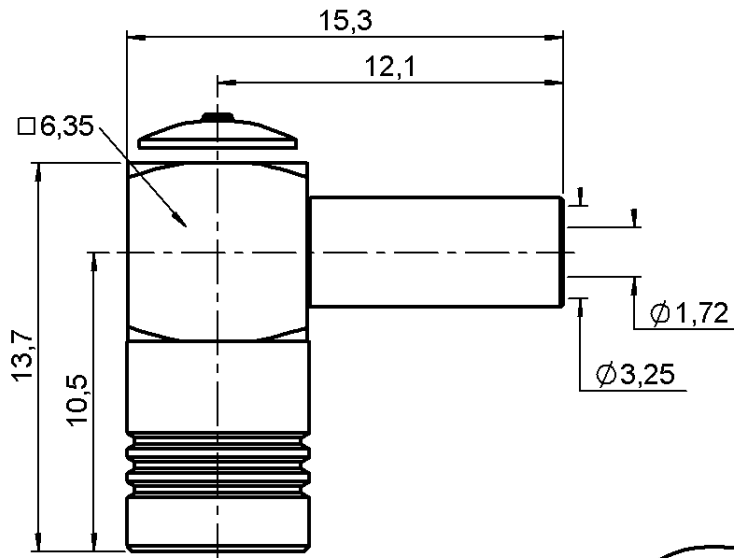


**RIGHT ANGLE PLUG CRIMP TYPE**

**R114.186.000**

**CABLE 2.6/50+75 S**

Series : **SMB**



All dimensions are in mm.



| COMPONENTS     | MATERIALS        | PLATINGS (µm)          |
|----------------|------------------|------------------------|
| BODY           | BRASS            | GOLD 0.2 OVER NICKEL 2 |
| CENTER CONTACT | BERYLLIUM COPPER | GOLD 1.3 OVER NICKEL 2 |
| OUTER CONTACT  | BERYLLIUM COPPER | GOLD 0.5 OVER NICKEL 2 |
| INSULATOR      | PTFE             |                        |
| GASKET         | -                |                        |
| OTHERS PARTS   | BRASS            | GOLD 0.2 OVER NICKEL 2 |
| -              | -                | -                      |
| -              | -                | -                      |

Issue : 0210 M

In the effort to improve our products, we reserve the right to make changes judged to be necessary.



**RIGHT ANGLE PLUG CRIMP TYPE**

**R114.186.000**

**CABLE 2.6/50+75 S**

Series : **SMB**

**PACKAGING**

| Standard   | Unit              | Other             |
|------------|-------------------|-------------------|
| <b>100</b> | <b>'W' option</b> | <b>Contact us</b> |

**SPECIFICATION**

**ELECTRICAL CHARACTERISTICS**

|                                 |               |                             |
|---------------------------------|---------------|-----------------------------|
| Impedance                       |               | <b>50</b> Ω                 |
| Frequency                       |               | <b>0-4</b> GHz              |
| VSWR                            | <b>1.35 +</b> | <b>0.040</b> x F(GHz) Maxi  |
| Insertion loss                  |               | <b>0.5</b> √F(GHz) dB Maxi  |
| RF leakage                      | - (           | <b>57</b> - F(GHz)) dB Maxi |
| Voltage rating                  |               | <b>335</b> Veff Maxi        |
| Dielectric withstanding voltage |               | <b>1000</b> Veff mini       |
| Insulation resistance           |               | <b>1000</b> MΩ mini         |

**CABLE ASSEMBLY**

| Stripping | a    | b    | c    | d    | e    | f    |
|-----------|------|------|------|------|------|------|
| mm        | 1.50 | 5.40 | 9.60 | 0.00 | 8.10 | 0.00 |

Assembly instruction : **Crimp 05**

Recommended cable(s)

- KX 22A
- RG 188
- RG 179
- RG 187
- RG 316
- RG 174
- KX 3B
- RG 174 FTX

- 
- 
- SHF 2.7T U

Cable retention

- pull off **110** N mini
- torque **NA** N.cm

**MECHANICAL CHARACTERISTICS**

|                            |           |           |
|----------------------------|-----------|-----------|
| Center contact retention   |           |           |
| Axial force – Mating end   | <b>10</b> | N mini    |
| Axial force – Opposite end | <b>10</b> | N mini    |
| Torque                     | <b>NA</b> | N.cm mini |

|                    |              |      |
|--------------------|--------------|------|
| Recommended torque |              |      |
| Mating             | <b>NA</b>    | N.cm |
| Panel nut          | <b>NA</b>    | N.cm |
| Clamp nut          | <b>NA</b>    | N.cm |
| A/F clamp nut      | <b>0.000</b> | mm   |

|             |              |             |
|-------------|--------------|-------------|
| Mating life | <b>500</b>   | Cycles mini |
| Weight      | <b>3.260</b> | g           |

**TOOLING**

| Part Number  | Description   | Hexagon |
|--------------|---------------|---------|
| .            | .             | .       |
| R282.211.000 | CRIMPING TOOL | 3.25    |
| R282.235.003 | CRIMPING DIES | 3.25    |
| R282.293.000 | CRIMPING TOOL | -       |

**ENVIRONMENTAL**

|                       |                 |           |
|-----------------------|-----------------|-----------|
| Operating temperature | <b>-65/+165</b> | ° C       |
| Hermetic seal         | <b>NA</b>       | Atm.cm3/s |
| Panel leakage         | <b>NA</b>       |           |

**OTHERS CHARACTERISTICS**

-

Issue : **0210 M**

In the effort to improve our products, we reserve the right to make changes judged to be necessary.

