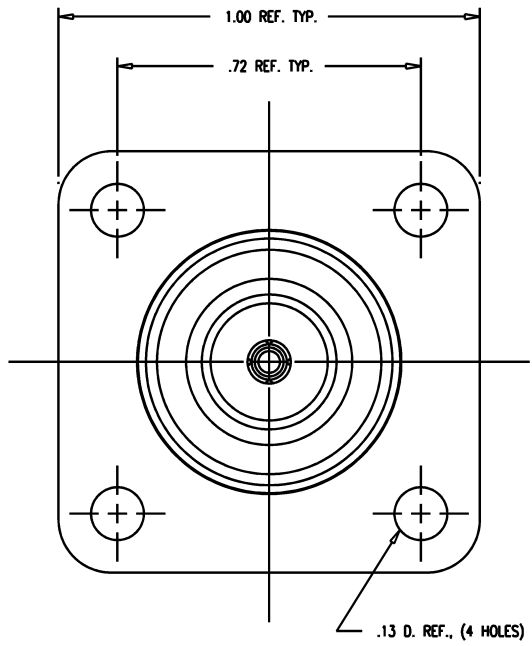
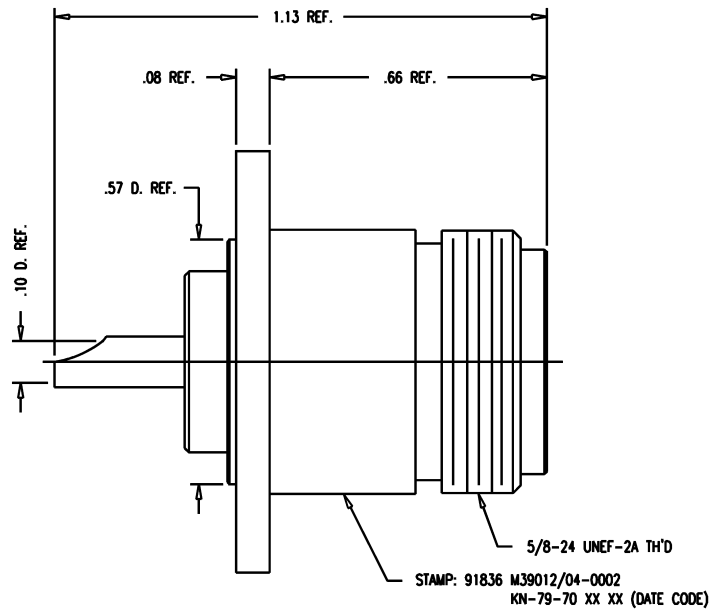


# GSD

M39012/04-0002

### REVISIONS

ISSUE	CHANGES
11	CN 33686 E REDRAWN JCA 01/28/92
12	CN 35061 C JCA 12/06/93



- NOTES:
1. INTERFACE PER MIL-STD-348, FIG. 304-2.
  2. MATERIALS:  
INSULATOR: TEFLON, ASTM-D-4894  
CENTER CONTACT: BER. COPPER, ASTM-B-196  
ALL OTHER METAL PARTS: BRASS, ASTM-B16
  3. FINISHES:  
CENTER CONTACT: HARD GOLD PLATE PER MIL-G-45204  
ALL METAL PARTS: SILVER PLATE, PER QQ-S-365
  4. ELECTRICAL CHARACTERISTICS:  
NOMINAL IMPEDANCE: 50 OHMS  
WORKING VOLTAGE: 1000 VRMS  
FREQUENCY RANGE: DC TO 11 GHz

SCALE 4:1	
APPROX SURFACE AREA KN-79-70	
USED ON	
REF: SUPERCEDES UG-588/U	
RECEPTACLE, PANEL, N	
DRAWN JCA	DATE 01/28/92
DESIGN MJB	DATE 01/29/92
APPR.	DATE

**KINGS**  
ELECTRONICS CO., INC.  
TUCKAHOE, NEW YORK 10707

M39012/04-0002

# GSD