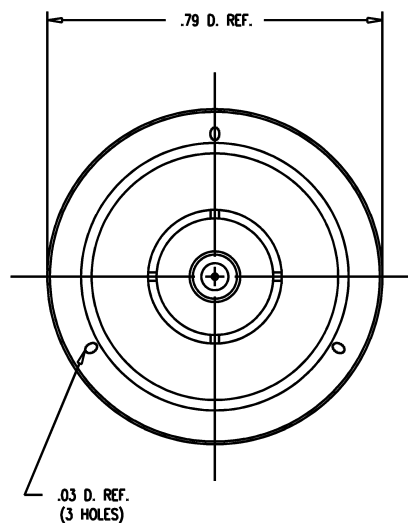
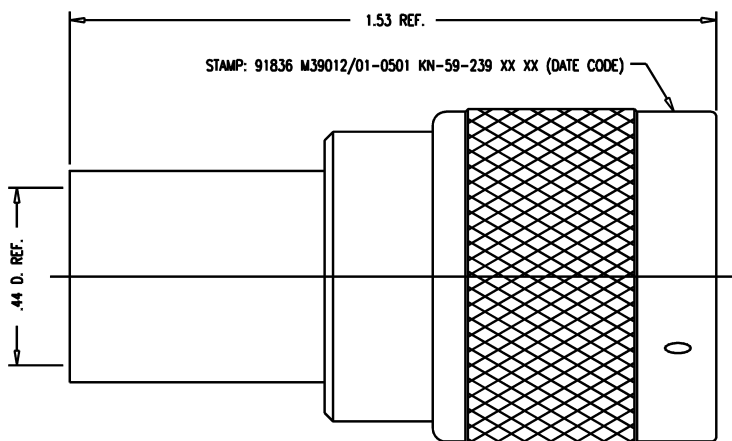


DASH NO.	M CODE	MADE FROM
----------	--------	-----------



NOTES:

1. FOR USE WITH RG-9, 9A, 9B, 214, 225 & 393/U CABLE.
2. FOR CABLING INSTRUCTIONS SEE CP-480.
3. FOR CABLE TRIMMING USE KTJ-137 & KTD-138.
4. FOR CRIMPING USE DIE KTH-2004.
5. INTERFACE PER MIL-STD-348, FIG. 304-1.
6. CENTER CONTACT SUPPLIED UNASSEMBLED.
7. K-GRIP GASKET TO BE USED ON RG-393/U ONLY. OMIT WHEN USING RG-9, 214 & 225/U CABLE.
8. MATERIALS:
 INSULATOR: TEFLON, ASTM-D-1457
 K-GRIP SLEEVE: COM. BRONZE TUBE, ALLOY 220
 GASKETS: SILICONE RUBBER, QQ-R-765
 OUTER CONTACT } PHOSPHOR BRONZE, QQ-B-750
 C-RING }
 ALL OTHER METAL PARTS: BRASS, ASTM-B16
9. FINISHES:
 CENTER CONTACT: HARD GOLD PLATE PER MIL-G-45204
 ALL OTHER METAL PARTS: SILVER PLATE PER QQ-S-365
10. ELECTRICAL CHARACTERISTICS:
 NOMINAL IMPEDANCE: 50 OHMS
 WORKING VOLTAGE: 1000 VRMS
 FREQUENCY RANGE: DC TO 11 GHz.

GSD

M39012/01-0501

REVISIONS

ISSUE	CHANGES
10	CN 35064 C REDRAWN JCA 11/22/93

WAS:
JCA1687

KN59239S

SCALE 4:1
APPROX SURFACE AREA
KN-59-239
USED ON
REF:
PLUG, N
DRAWN JCA DATE 05/28/91
DESIGN MJB DATE 05/28/91
APPR. DATE

KINGS
ELECTRONICS CO., INC.
TUCKAHOE, NEW YORK 10707

M39012/01-0501

GSD