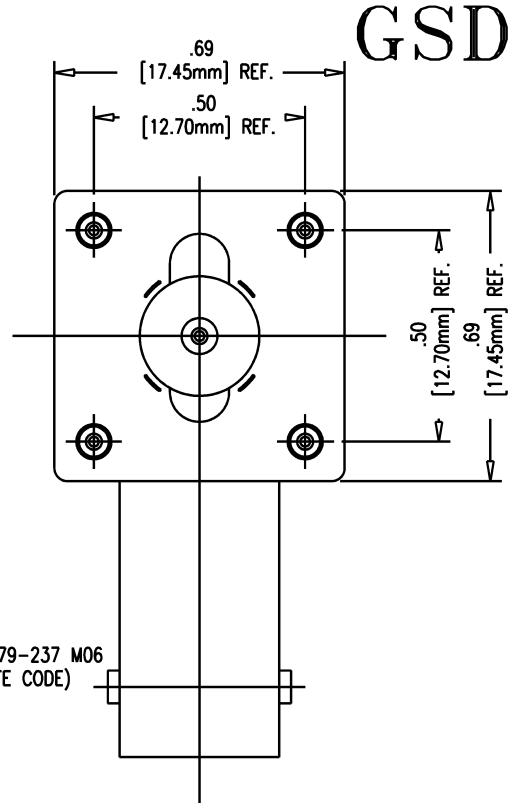
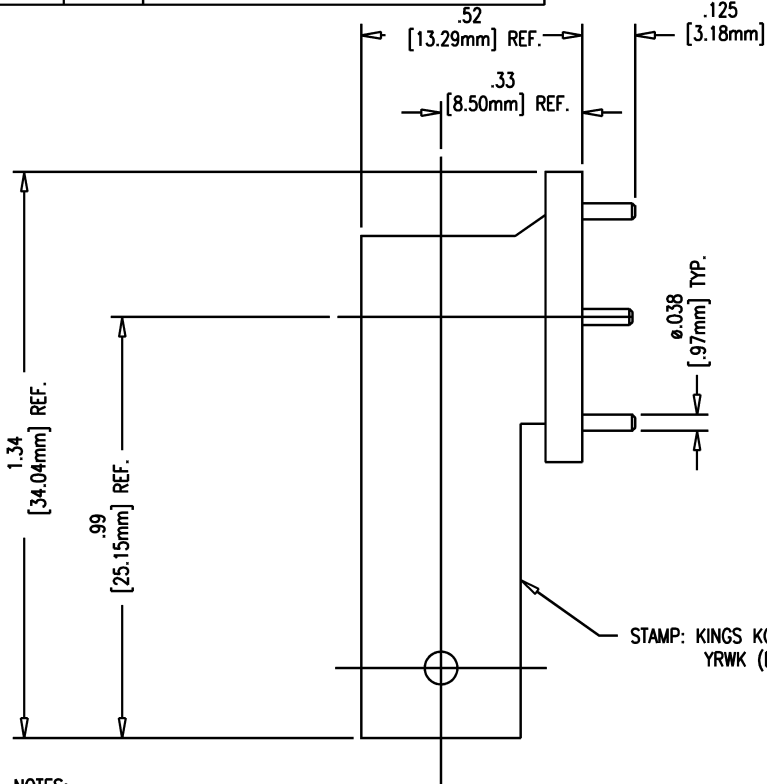


DASH NO.	M CODE	MADE FROM
----------	--------	-----------



GSD

KC-79-237 M06

STAMP: KINGS KC-79-237 M06
YRWK (DATE CODE)

- NOTES:
1. MAX. PC BOARD THICKNESS - 1/16"
 2. MATERIALS:
INSULATORS-TEFLON, ASTM-D-1457
BODY-ZINC ALLOY, ZAMAK 7
CENTER CONTACT-BER. COP., ASTM-B-196, C17300
MOUNTING PINS AND RETAINING RING-BRASS, ASTM-B-16
 3. FINISHES:
CENTER CONTACT AND MOUNTING PINS-SILVER PLATE, QQ-S-365
BODY AND RETAINING RING-BRIGHT NICKEL PLATE.

GSD

REVISIONS	
ISSUE	CHANGES
0	ER 23963 JEP 11/03/82
1	CN 38677 C BDH 10/04/02
2	CN 38696 C BDH 10/21/02

SCALE	4:1
APPROX SURFACE AREA	
USED ON	
REF:	APOLLO COMP, INC. PO NO. 5849
BNC ANGLE, P.C. RECEPTACLE	
DRAWN	JEP DATE 11/03/82
DESIGN	DATE
APPR.	LJ DATE 11/03/82
 ROCK HILL, SOUTH CAROLINA 29730	
KC-79-237 M06	