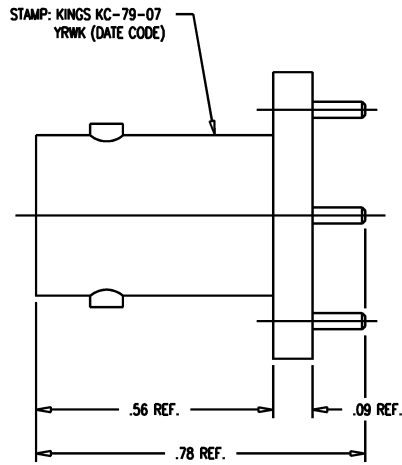
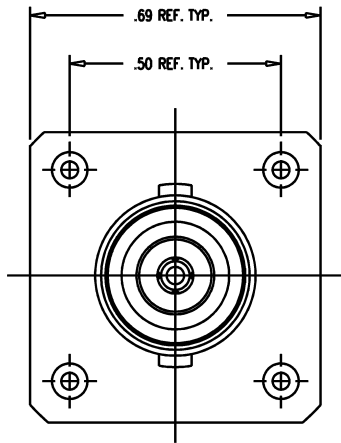


# GSD

KC-79-07



- NOTES:
1. INTERFACE PER MIL-STD-348, FIG. 301-2.
  2. MATERIALS:  
INSULATOR: TEFLON, ASTM-D-4894  
CENTER CONTACT: BER. COP., ASTM-B-196  
ALL OTHER METAL PARTS: BRASS, ASTM-B16
  3. FINISHES:  
ALL METAL PARTS: SILVER PLATE PER QQ-S-365
  4. ELECTRICAL CHARACTERISTICS:  
NOMINAL IMPEDANCE: 50 OHMS  
FREQUENCY RANGE: DC TO 4 GHZ  
WORKING VOLTAGE: 500 VRMS

REVISIONS	
ISSUE	CHANGES
5	CN 36272 C REDRAWN KH 05/03/95
6	CN 38203 E TML 02/15/01

WAS: KAM5622		KC7907S
-----------------	--	---------

SCALE	4:1	
APPROX SURFACE AREA		
USED ON		
REF: WESTING HOUSE ELECT. C-5487000H03-J		
<b>RECP, BNC</b>		
DRAWN	KH	05/03/95
DESIGN	MJB	05/04/95
APPR.		DATE

<b>KINGS</b> ELECTRONICS CO., INC. ROCK HILL, SOUTH CAROLINA 29730	
KC-79-07	

# GSD