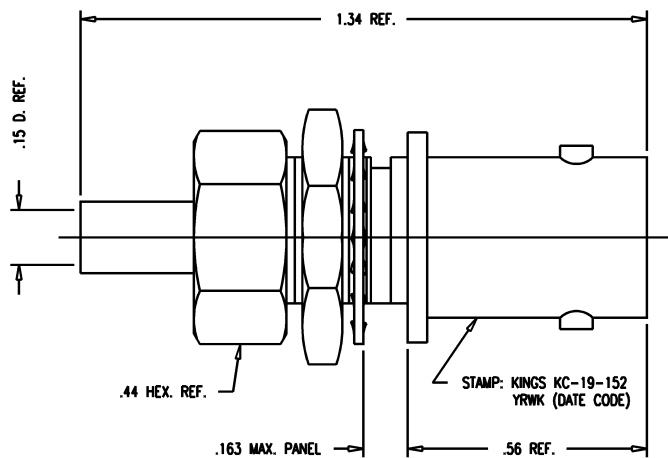


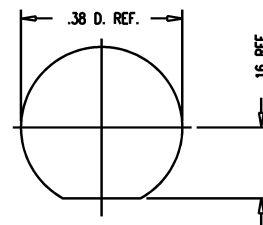
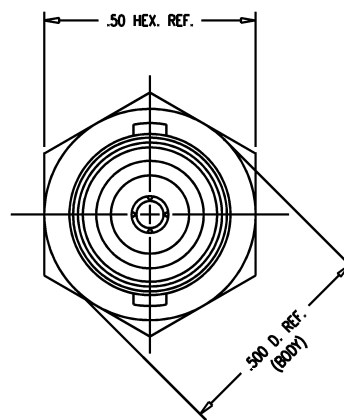
DASH NO.	M CODE	MADE FROM
----------	--------	-----------



- NOTES:
- FOR USE WITH RG-174, 179, 187, 188 & 316/U CABLE.
 - FOR CABLING INSTRUCTIONS SEE CP-430.
 - FOR CRIMPING USE DIE KTH-2024.
 - INTERFACE PER MIL-STD-348, FIG. 301-2.
 - MATERIALS:
INSULATORS: TEFLON, ASTM-D-4894
K-GRIP SLEEVE: COM. BRONZE, ASTM-B-135
LOCKWASHER: PHOS. BRONZE, QQ-B-750
CENTER CONTACT: BER. COP., ASTM-B-196
ALL OTHER PARTS: BRASS, ASTM-B16-H02
 - FINISHES:
CENTER CONTACT: GOLD PLATE PER ASTM-B-488
ALL OTHER METAL PARTS: KINGS TARNISH RESISTANT FINISH (TR-5)
 - ELECTRICAL CHARACTERISTICS:
NOMINAL IMPEDANCE: 50 OHMS
VOLTAGE RATING: 500 VRMS
FREQUENCY RANGE: DC TO 4 GHz

GSD

KC-19-152



MOUNTING HOLE

REVISIONS	
ISSUE	CHANGES
4	CN 33608 C REDRAWN JCA 12/18/91
5	CN 34589 E JCA 04/19/93
6	CN 35657 B KH 07/20/94
7	CN 39182 D JPK 10/12/04
8	CN 39807 C HVN 02/22/07

KC-19-152 SD

SCALE	4:1
APPROX SURFACE AREA	
USED ON	
REF:	
JACK, BULKHEAD, BNC	
DRAWN	JCA
DATE	12/18/91
DESIGN	MJB
DATE	12/19/91
APPR.	
DATE	

KINGS
ELECTRONICS CO., INC.
ROCK HILL, SOUTH CAROLINA 29730

GSD

KC-19-152