

ALL RIGHTS RESERVED. NO PORTION OF THIS PUBLICATION, WHETHER IN WHOLE OR IN PART CAN BE REPRODUCED WITHOUT THE EXPRESS WRITTEN CONSENT OF SPC TECHNOLOGY.

Specifications

Electrical Characteristics

Impedance: 50 ohms nominal
 Frequency Range: 0~4 GHz
 Working Voltage: 500 volts RMS AT sea level
 Dielectric Withstanding Voltage: 1500 volts RMS at sea level
 Corona Level: 375 volts minimum at 70,000 feet
 Contact Resistance: Outer - 0.2 milliohms maximum
 Center - 2.1 milliohms maximum
 Insulation Resistance: 5000 megohms minimum

Environmental Characteristics

Temperature Range: -55°C to 85°C
 Moisture Resistance: MIL-STD-202

Mechanical Characteristics

Durability: 500 cycles
 Force to Engage/Disengage: 3 lbs maximum

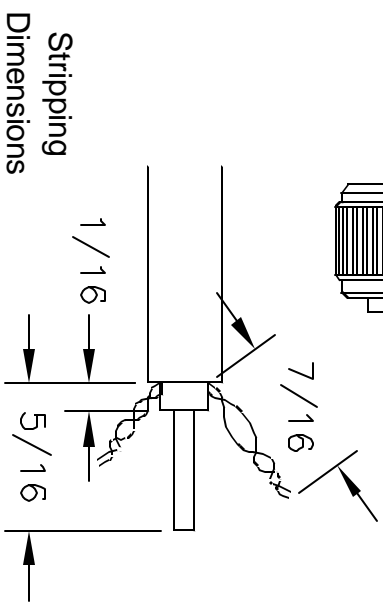
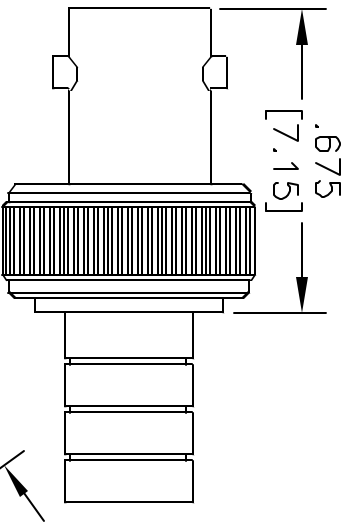
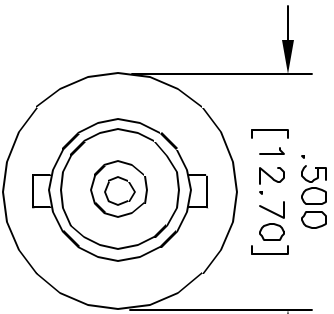
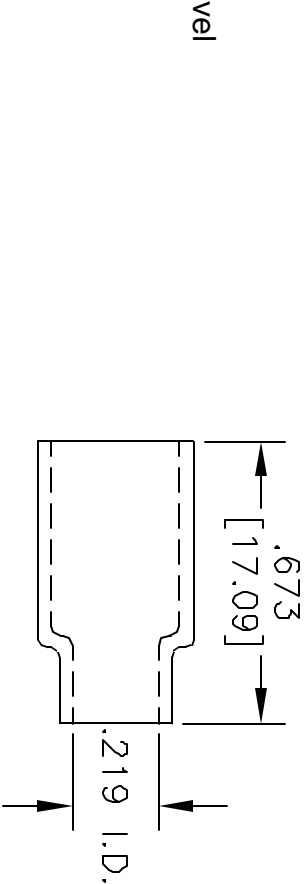
Materials

Body: Zinc, Nickel Plated
 Contact: Brass, Gold plated
 Insulator: Delrin
 Spring Washer: Beryllium Copper
 Crimp Sleeve: Brass, Nickel Plated

Cable

RG-59 & RG-62, Solid center conductor
 22AWG (.025)

REVISONS		DOC. NO.	SPC-F005	Effective:	12/21/98	DCP No:	880	
DCP #	REV	DESCRIPTION	DRAWN	DATE	CHECKD	DATE	APPRVD	DATE
	A	Released						
366	B	Redrawn & Updated	JMM	1/8/02	JC	2/25/02	JC	2/25/02



DISCLAIMER
 ALL STATEMENTS AND TECHNICAL INFORMATION CONTAINED HEREIN ARE BASED UPON INFORMATION AND/OR TESTS WE BELIEVE TO BE ACCURATE AND RELIABLE. SINCE CONDITIONS OF USE ARE BEYOND OUR CONTROL, THE USER SHALL DETERMINE THE SUITABILITY OF THE PRODUCT FOR THE INTENDED USE AND ASSUME ALL RISK AND LIABILITY WHATSOEVER IN CONNECTION THEREWITH.

UNLESS OTHERWISE SPECIFIED, DIMENSIONS ARE FOR REFERENCE PURPOSES ONLY.

DRAWN BY:	DATE:
JC	7/23/91
CHECKED BY:	DATE:
APPROVED BY:	DATE:

DRAWING TITLE:		50 Ohm BNC Female Straight Crimp-2 Piece	
SIZE	DWG. NO.	ELECTRONIC FILE	REV
A	CP89-2	44N3643.dwg	B
SCALE:	NTS	U.O.M.: Inches [Millimeters]	SHEET: 1 OF 1

