

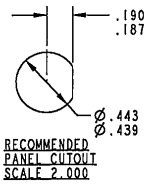
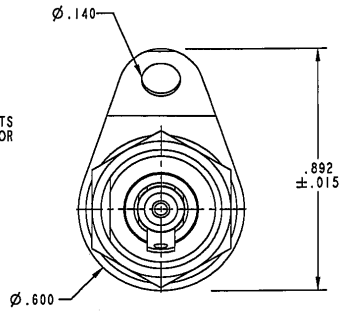
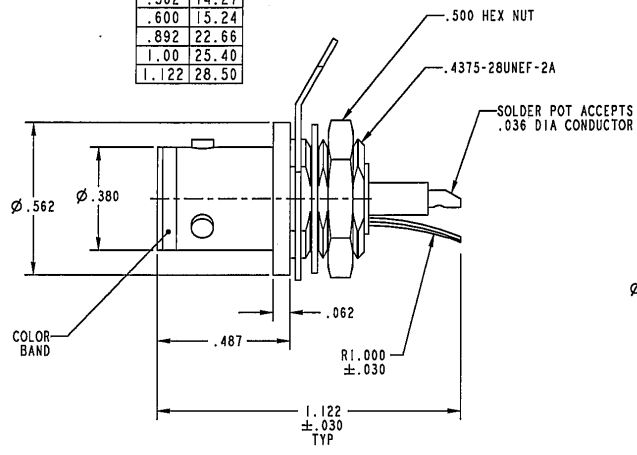
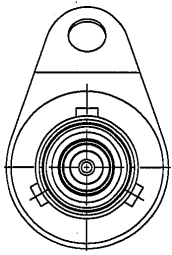
RED INDICATES ORIGINAL

DATA CONTAINED IN THIS DOCUMENT IS PROPRIETARY TO TROMPETER ELECTRONICS INC. AND SHALL NOT BE DISCLOSED, COPIED OR USED FOR PROCUREMENT OF MANUFACTURE WITHOUT EXPRESS WRITTEN PERMISSION.

REV		ECO NO.		DESCRIPTION	DWN	APPROVED	DATE
W	11328			SH 2 "D" FLAT PIN DEPTH WAS .200; B/M P/N 8-2149-3; WAS 8-2149-2; SEE ECO	SAC	<i>BM: FOL</i>	12/2/95

KEYING LETTER	A°	B°	C°	COLOR BAND
NONE	120°	120°	120°	NONE
S	135°	135°	90°	WHITE
T	100°	150°	110°	RED
U	120°	130°	110°	ORANGE
V	115°	130°	115°	YELLOW
W	125°	110°	125°	GREEN
X	130°	100°	130°	BLUE
Y	110°	140°	110°	VIOLET
Z	100°	160°	100°	GRAY

INCH	MM
.005	0.13
.015	0.38
.030	0.76
.036	0.91
.062	1.57
.125	3.18
.140	3.56
.187	4.75
.190	4.83
.380	9.65
.439	11.15
.443	11.25
.487	12.37
.500	12.70
.562	14.27
.600	15.24
.892	22.66
1.00	25.40
1.122	28.50



- MAX PANEL THK .125
- FINISH: TFS-1A(NICKEL)
- ALL DIM ARE IN INCHES

5. EXAMPLE OF COMPLETE MODEL NO:
 BASIC MODEL NO. BJ77 - T POLARIZATION LTR (SEE TABLE 1)

QTY	DESCRIPTION	PART NUMBER	ITEM
TOL UNLESS SPECIFIED	TROMPETER ELECTRONICS, INC.®	BJ77/S/T/U/V/ W/X/Y/Z	
IT # .005			
CHG #			
INCL #			
DWG	SAC 12-6-95	MATERIAL	CODE IDENT
CHK	<i>BM 12-20-95</i>		14949
SEE SH 3	ENGR		DRAWING NO.
NEXT ASSY	APPR <i>FOL 12/21/95</i>		3-0001
			REV
			W

SCALE 4/1 DATE 11-12-68 SHEET 1C