

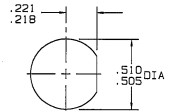
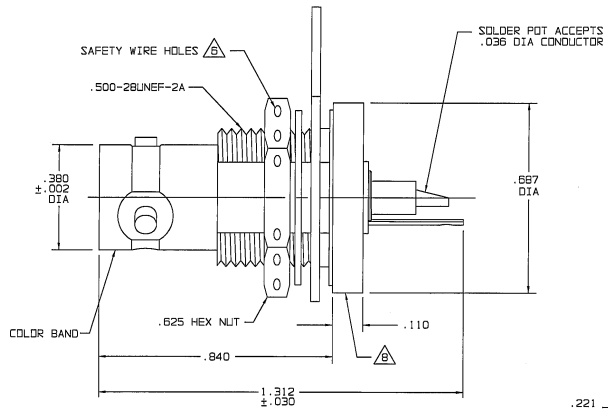
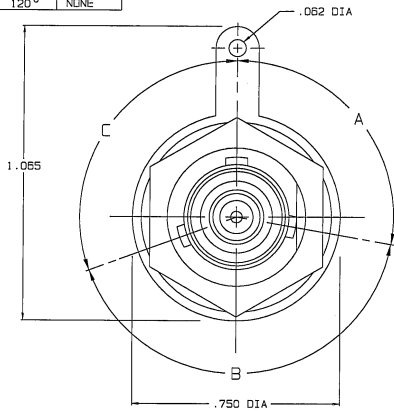
DASH NO	KEYING LETTER	A DEGREES	B DEGREES	C DEGREES	COLOR BAND
-1	T	100°	150°	110°	RED
-2	U	120°	130°	110°	ORANGE
-3	V	115°	130°	115°	YELLOW
-4	W	125°	110°	125°	GREEN
-5	X	130°	100°	130°	BLUE
-6	Y	110°	140°	110°	VIOLET
-7	Z	100°	160°	100°	GRAY
-8	S	135°	135°	90°	WHITE
-9	NONE	120°	120°	120°	NONE

MILITARY PART NO (PIN)	TROMPETER PART NO (REF ONLY)
M49142/D4-0004	M3-012B
M49142/D4-0104	M3-012BY
M49142/D4-0204	M3-012BS

DATA CONTAINED IN THIS DOCUMENT IS UNCLASSIFIED EXCEPT WHERE SHOWN OTHERWISE. IT IS THE POLICY OF THE ELECTRONIC INDUSTRIES CORPORATION OF AMERICA TO MAKE THIS INFORMATION AVAILABLE TO THE PUBLIC.

REVISIONS		3-012B	SH 1
REV	DESCRIPTION	DATE	APPROVED
G	REVISED PER ECO 15465	5-17-09	W.A.

RED INDICATES ORIGINAL



RECOMMENDED
PANEL CUTOUT
SCALE: 2/1

- ⚠ WHEN CONNECTOR IS SUPPLIED TO MILITARY PART NO. (SEE TABLE 2):
- ALL PARTS NORMALLY PLATED TFS-1A OR TFS-1U (NICKEL) ARE TO BE PLATED TFS-1M (SILVER)
 - MARK PART IN AREA **A** WITH MILITARY PIN (SEE TABLE 2) AND "14949"
 - QUALITY CONFORMANCE INSPECTION SHALL BE PER MIL-C-49142 SECTION 4.5

- ⚠ HEX NUT WITH SAFETY HOLES IS SUPPLIED WHEN SUFFIX "-S" (SAFETY WIRE TYPE) IS REQ'D ONLY

5. IF SAFETY WIRE TYPE REQ'D, ADD SUFFIX "-S" TO MODEL NO AND PART NO. (SEE NOTE 7 & 8)

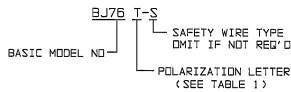
4. MAX PANEL THK .240 W/O SOLDER LUG
.209 THK W/ SOLDER LUG

3. CONCENTRIC TWINAX/TRIAX TRB
REAR MOUNT SOLDER POT
BULKHEAD RECEPTACLE

2. FINISH: TFS-1A (NICKEL) ⚠

1. ALL DIM ARE IN INCHES

8. EXAMPLE OF COMPLETE MODEL NO:



DRAWING NO: B14949 DATE: 5-14-04 DESIGNED BY: S14104 CHECKED BY: S14104 DRAWN BY: S14104 MATERIAL: 3-012BS	TITL: (UNLESS SPECIFIED) .XX # .01 .XXX # .005 .XXXK # .0010 ANGLE(S) OF 30°	TROMPETER ELECTRONICS, INC.
TITLE: BJ7B/T/L/W/W X/Y/Z/S/-S		S128 CAGE CODE DRAWING NO. 3-012B B 14949 SCALE 4/1 DATE: 12/15/87 SHEET 1C