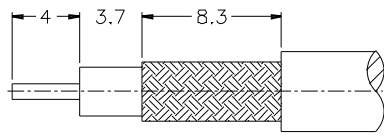
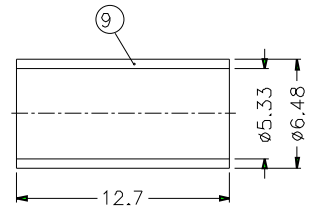
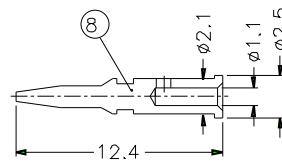
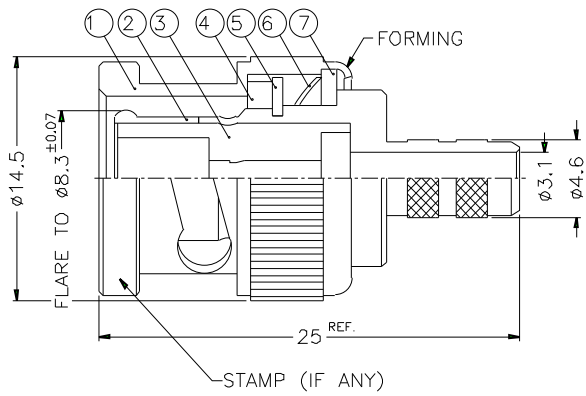


ISS		ZONE		REVISIONS			
				DESCRIPTION\PER REQUEST\DATE			



RECOMMENDED  
CABLE STRIPPING DIM'S



- NOTES: FINISH (PLATING THICKNESS IN MICRO-INCHES)
1. BRASS PER QQ-B-626
  2. BRASS PER QQ-B-613
  3. NICKEL PL. 100 MIN. THICK OVER COPPER STRIKE
  4. NICKEL PL. 200 MIN. THICK OVER COPPER STRIKE
  5. GOLD PL. 3 MIN. THICK OVER NICKEL PL. 100 MIN. THICK OVER COPPER STRIKE

1. CRIMPED FERRULE  
HEX CRIMP SIZE .213"
2. CRIMPED CONTACT PIN  
HEX CRIMP SIZE .068"

NO.	DESCRIPTION	MATERIAL	FINISH	Q'TY	DRAWING NO.	SCALE	3/1	ISSUE	A	FILE NO.
9	FERRULE	COPPER	NOTE 3	1	FR-648/533X 127C					
8	CONTACT PIN	NOTE 1	NOTE 5	1	B50000-8-25/11					
7	WASHER	NOTE 2	NOTE 3	1	WS-128/9X08					
6	SPRING	SK5	NOTE 4	1	B50000-6					
5	RETAINER RING	NOTE 1	NOTE 3	1	B50000-5					
4	GASKET	RUBBER	RED	1	GS-115/8X15					
3	INSULATOR	DELTRIN	NATURAL	1	B50000-3-50-A					
2	BODY	NOTE 1	NOTE 3	1	B50000-2-46/31					
1	SHELL	NOTE 1	NOTE 3	1	B50000-1-B					

DIMENSIONS ARE IN MILLIMETERS  
UNLESS OTHERWISE SPECIFIED  
TOLERANCES  
0.5-6 = ±0.2  
6-30 = ±0.4  
30-120 = ±0.6  
120-315 = ±1  
315-1000 = ±1.6  
1000-2000 = ±2.4

PART NO. B1121A1-ND3G-1-50  
APPROVED DATE 10-11-01'  
CHECKED DATE 10-11-01'  
DRAWN DATE 10-11-01'

**Amphenol**

TITLE BNC CRIMP PLUG

DRAWING NO. KJ-B1121A1-ND3G-58CU-50

ITEM NO.