

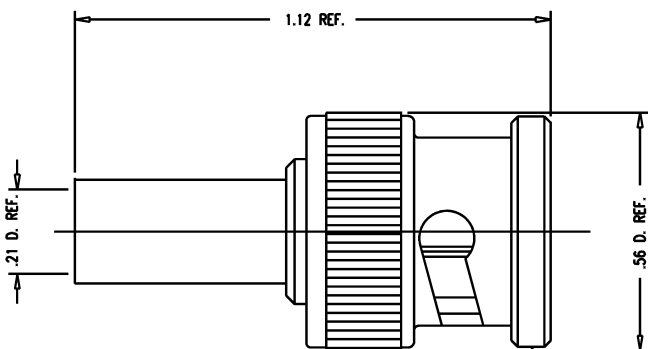
DASH NO.	M CODE	MADE FROM
----------	--------	-----------

GSD

755-114-9

REVISIONS

ISSUE	CHANGES
0	ER 39019 DCT 2/16/4



STAMP: 755-114-9 XXXX
DATE CODE

NOTES:

- FOR USE WITH RG-58 AND 141/U CABLE GROUPS.
- FOR CABLING INSTRUCTIONS SEE CP-465.
- FOR CRIMPING USE DIE KTH-2001.
- INTERFACE PER MIL-STD-348, FIG. 301-1.
- CENTER CONTACT TO BE SUPPLIED UNASSEMBLED.
- MATERIALS:
INSULATOR: TEFLON, ASTM-D4894
GASKET: SILICONE RUBBER, A-A-59588
SPRING WASHER: BER. COP. ASTM-B-196
OUTER CONTACT: BER. COP. ASTM-B-196
CRIMP SLEEVE: COMM. BRONZE ASTM-B16, H02
ALL OTHER METAL PARTS: BRASS, ASTM-B36
- FINISHES:
CENTER CONTACT: GOLD PLATE PER ASTM-B488
ALL OTHER METAL PARTS: NICKEL PLATE PER SAE-AMS-QQ-N-290
- ELECTRICAL CHARACTERISTICS:
NOMINAL IMPEDANCE: 50 OHM
FREQUENCY RANGE: DC TO 4 GHz
VOLTAGE RATING: 500 VOLTS RMS

SCALE	4:1	
APPROX SURFACE AREA		
USED ON		
REF:	PLUG, BNC	
DRAWN	DCT	DATE 1/8/4
DESIGN	DCT	DATE 10/24/3
APPR.		DATE
 ROCK HILL, SOUTH CAROLINA 29730		
755-114-9		

GSD