

MATERIALS AND FINISHES

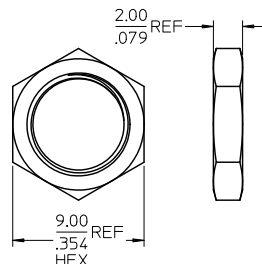
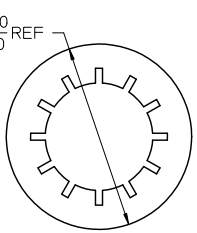
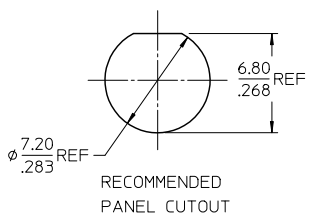
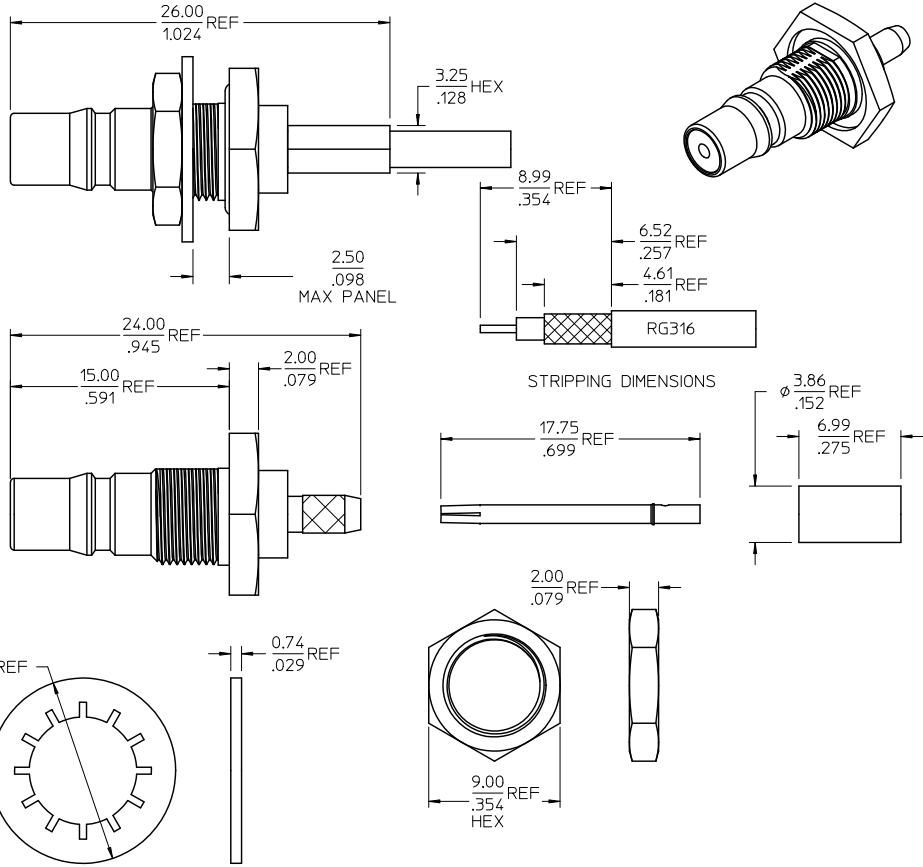
BODY: BRASS
PLATED TRI-METAL

CENTER CONTACT BERYLLIUM COPPER
PLATED GOLD

INSULATOR TEFLON

CRIMP TUBE, JAM NUT: BRASS
PLATED NICKEL

LOCKWASHER: PHOSPHER BRONZE
PLATED TRI-METAL



73254-0101	ONE PIECE 73254-0100 PER BAG
73254-0100	BULK
PART NO.	PACKAGING

CHG: CLARIFIED BAGGING.	DESCRIPTION
EC NO: URF2010-0369	REV
DRW: ROBERTSON	2009/12/18
CHK: SSS	2009/12/18
APPR: JWIENER	2009/12/18

QUALITY SYMBOLS	GENERAL TOLERANCES (UNLESS SPECIFIED)	DIMENSION STYLE	SCALE	DESIGN UNITS	THIRD ANGLE PROJECTION
▽=0	4 PLACES ±--- ±---	MM/IN		METRIC	
▽=0	3 PLACES ±--- ±---	DRAWN BY	DATE		
	2 PLACES ±--- ±---	TEF	2003/10/07		
	1 PLACE ±--- ±---	CHECKED BY	DATE		
	ANGULAR ± 2 °	SSS	2003/10/07		
		APPROVED BY	DATE		
		GMH	2003/10/07		
	DRAFT WHERE APPLICABLE MUST REMAIN WITHIN DIMENSIONS	MATERIAL NO.	DOCUMENT NO.		SHEET NO.
		SEE TABLE	SD-73254-010		1 OF 1
		THIS DRAWING CONTAINS INFORMATION THAT IS PROPRIETARY TO MOLEX INCORPORATED AND SHOULD NOT BE USED WITHOUT WRITTEN PERMISSION			