

MATERIALS AND FINISH

BODY: ZINC ALLOY
PLATED TIN OVER NICKEL OVER COPPER

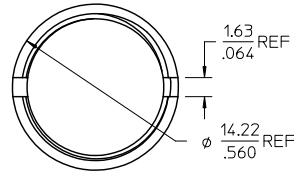
CENTER CONTACT: PHOSPHOR BRONZE
PLATED SEE TABLE

INSULATOR: TEFLON

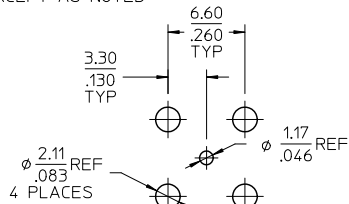
LOW PROFILE JAM NUT, HEX HEAD NUT: BRASS
PLATED NICKEL

WASHER: PHOSPHOR BRONZE
PLATED NICKEL

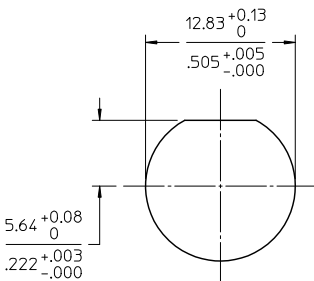
ALL PARTS PACKAGED IN TRAYS
EXCEPT AS NOTED



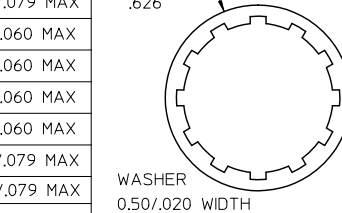
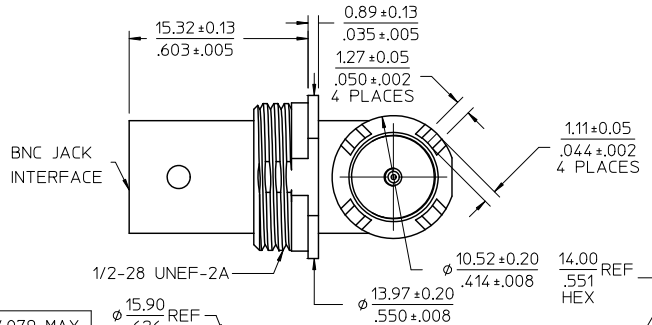
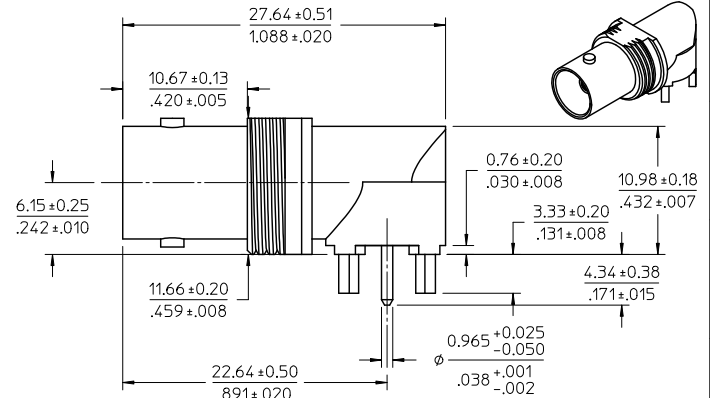
LOW PROFILE JAM NUT
2.50/.098 WIDTH



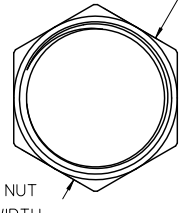
RECOMMENDED PCB
HOLE PATTERN



RECOMMENDED PANEL CUTOUT
MAX PANEL THICKNESS: SEE TABLE



WASHER
0.50/.020 WIDTH



HEX HEAD NUT
2.50/.098 WIDTH

73171-3356	73171-3350 PACKED ONE PER BAG	2.00/.079 MAX
73171-3355	30u GOLD CONTACT/ HARDWARE NOT INCLUDED	1.52/.060 MAX
73171-3354	10u GOLD CONTACT/ HARDWARE INCL'D: LOW PROFILE JAM NUT & WASHER	1.52/.060 MAX
73171-3353	30u GOLD CONTACT/ HARDWARE INCLUDED: WASHER AND HEX HEAD NUT	1.52/.060 MAX
73171-3352	10u GOLD CONTACT/ HARDWARE INCLUDED: WASHER AND HEX HEAD NUT	1.52/.060 MAX
73171-3351	30u GOLD CONTACT/ HARDWARE INCLUDED: LOW PROFILE JAM NUT ONLY	2.00/.079 MAX
73171-3350	10u GOLD CONTACT/ HARDWARE INCLUDED: LOW PROFILE JAM NUT ONLY	2.00/.079 MAX
PART NO.	DESCRIPTION:	PANEL THK

PS-89675-2020	ELECTRICAL/MECHANICAL	CHG: ADDED -3356	EC NO: URF2011-0572	DRAWN: JWIENER 2011/03/31	CHKD: SSS 2011/03/31	APPR: JWIENER 2011/04/01	QUALITY SYMBOLS ▽=0 ▽=0	GENERAL TOLERANCES (UNLESS SPECIFIED)		DIMENSION STYLE		SCALE	DESIGN UNITS	THIRD ANGLE PROJECTION	
								mm	INCH	MM/IN	METRIC	☉			
SPECIFICATION	DESCRIPTION	A9						4 PLACES ±	3 PLACES ±	2 PLACES ±	1 PLACE ±	DRAWN BY: JDW	DATE: 2008/01/17	TITLE: BNC JACK RA PCB 75 OHM 3 GHZ BULKHEAD RM EWR 3520 BNC-J/PCB	
								ANGULAR ± 2°	SEE TABLE		MATERIAL NO.	DATE: 2008/01/17	APPROVED BY: JWIENER	DATE: 2010/02/03	MOLEX INCORPORATED
								DRAFT WHERE APPLICABLE MUST REMAIN WITHIN DIMENSIONS	SEE TABLE		DOCUMENT NO.	DATE: 2010/02/03	MOLEX INCORPORATED	SHEET NO. 1 OF 1	
THIS DRAWING CONTAINS INFORMATION THAT IS PROPRIETARY TO MOLEX INCORPORATED AND SHOULD NOT BE USED WITHOUT WRITTEN PERMISSION															