

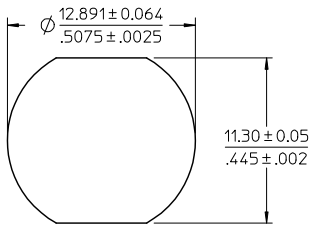
MATERIALS AND FINISHES

BODY, JAMNUT BRASS
PLATED SEE TABLE

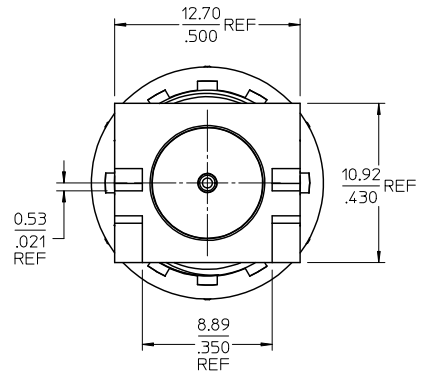
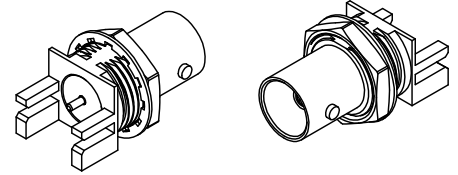
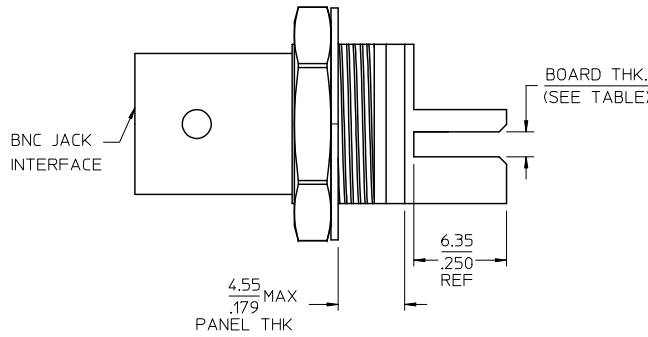
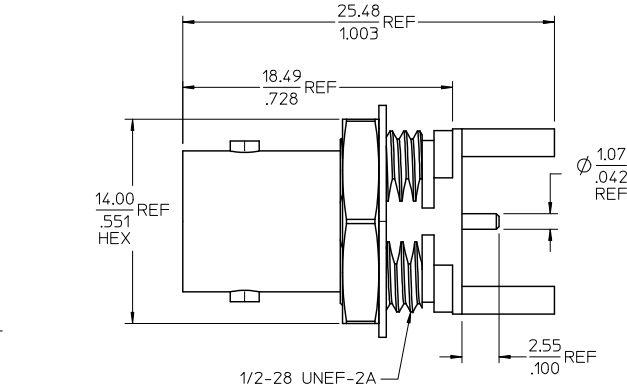
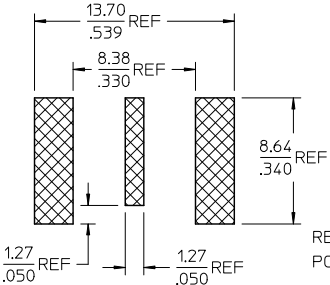
CENTER CONTACT BERYLLIUM COPPER
PLATED GOLD

INSULATOR TEFLON

LOCKWASHER PHOSPHOR BRONZE
PLATED SEE TABLE



RECOMMENDED PANEL
CUTOUT



MIL-STD-348A, FIG. 301.2	INTERFACE
SPECIFICATION	DESCRIPTION

CHG: TABULATED
DIM A. CHANGED
FROM SLOT WIDTH
TO BOARD THK.
ADDED -2603 THRU
-2606 AND SHEET 2
EC NO: UPE2009-0169
2008/09/23
DRW:SSAH
CHK:ROBERTSON
2008/09/23
APP: JWEINER
2008/09/23

QUALITY
SYMBOLS
▽=0
▽=0

GENERAL TOLERANCES (UNLESS SPECIFIED)	
	mm
4 PLACES ±	±.005
3 PLACES ±	±.004
2 PLACES ±	±.003
1 PLACE ±	±.002
ANGULAR ± 2°	

DIMENSION STYLE	
MM/IN	
DRAWN BY	DATE
SSS	2005/03/30
CHECKED BY	DATE
TEF	2005/03/30
APPROVED BY	DATE
JDE	2005/03/30
MATERIAL NO.	DOCUMENT NO.
SEE SHEET 2	SD-73171-260

SCALE	DESIGN UNITS	THIRD ANGLE PROJECTION
	METRIC	☉
TITLE		
BNC JACK, BULKHEAD, PCB 75 OHMS 3 GHZ EWR2754 BNC-J/PCB		
MOLEX INCORPORATED		
MATERIAL NO.		SHEET NO.
SEE SHEET 2		1 OF 2

DRAFT WHERE APPLICABLE
MUST REMAIN
WITHIN DIMENSIONS

THIS DRAWING CONTAINS INFORMATION THAT IS PROPRIETARY TO MOLEX
INCORPORATED AND SHOULD NOT BE USED WITHOUT WRITTEN PERMISSION

13 12 11 10 9 8 7 6 5 4 3 2 1

J
I
H
G
F
E

73171-2606	.120 REF	3.05 REF	NICKEL
73171-2605	.120 REF	3.05 REF	GOLD
73171-2604	.084 REF	2.13 REF	NICKEL
73171-2603	.084 REF	2.13 REF	GOLD
73171-2602	.060/.064 REF	1.52/1.63 REF	NICKEL/BULK
73171-2601	.060/.064 REF	1.52/1.63 REF	73171-2600, ONE PER BAG
73171-2600	.060/.064 REF	1.52/1.63 REF	GOLD/BULK
PART NO.	IN	MM	PLATING/PACKAGING
BOARD THK.			

CHG: SEE SHEET 1 EC NO: DRP2009-0149 DRWNS: SSPAH 2008/09/23 CHK: ROBERTSON 2008/09/23 APPR: JWIENER 2008/09/23	AZ REV	QUALITY SYMBOLS ▽=0 ▽=0	GENERAL TOLERANCES (UNLESS SPECIFIED)		DIMENSION STYLE MM/IN		SCALE	DESIGN UNITS METRIC	THIRD ANGLE PROJECTION
			4 PLACES ±--- ±---	3 PLACES ±--- ±---	2 PLACES ±--- ±---	1 PLACE ±--- ±---	mm	INCH	DRAWN BY SSS
DRAFT WHERE APPLICABLE MUST REMAIN WITHIN DIMENSIONS			ANGULAR ± 2 °		CHECKED BY TEF		DATE 2005/03/30	APPROVED BY JDE	
			SEE TABLE		MATERIAL NO.		DATE 2005/03/30	DOCUMENT NO. SD-73171-260	
			SIZE C		THIS DRAWING CONTAINS INFORMATION THAT IS PROPRIETARY TO MOLEX INCORPORATED AND SHOULD NOT BE USED WITHOUT WRITTEN PERMISSION		MOLEX INCORPORATED		SHEET NO. 2 OF 2

12 11 10 9 8 7 6 5 4 3 2 1

Id_frame_C.P. AM.T
Rev. E 2006/04/15