

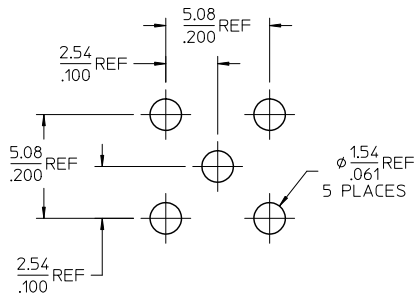
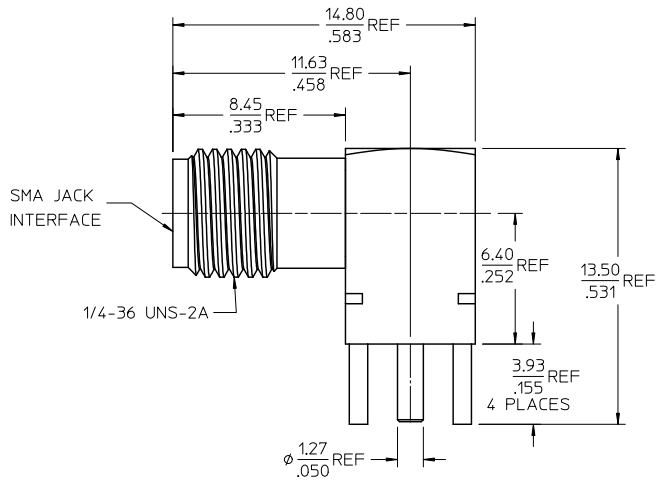
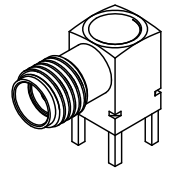
MATERIALS AND FINISHES

BODY BRASS  
PLATED NICKEL

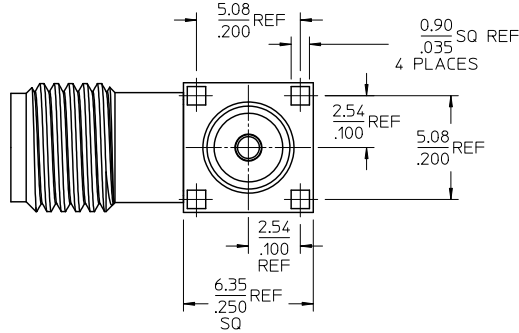
CENTER CONTACT BERYLLIUM COPPER  
PLATED GOLD

PCB CONTACT BRASS  
PLATED GOLD

INSULATOR TEFLON



RECOMMENDED PCB LAYOUT



73251-3131	ONE PER BAG
73100-0115	TRAY
PART NO.	PACKAGING

PS-89675-3460	PRODUCT SPECIFICATION
SPECIFICATION	DESCRIPTION

CHG: ADD SINGLE BAG VERSION PS WAS 73598-0111	2011/03/20
EC NO: URF2011-0567	2011/03/20
DRW: JWIENER	2011/03/20
CHK: JWIENER	2011/03/20
APP: JWIENER	2011/03/21

QUALITY SYMBOLS	GENERAL TOLERANCES (UNLESS SPECIFIED)	DIMENSION STYLE	SCALE	DESIGN UNITS	THIRD ANGLE PROJECTION
▽=0	mm INCH	MM/IN	METRIC		
▽=0	4 PLACES ±--- ±---	DRAWN BY THOMPSON	DATE 1993/10/15	TITLE SMA JACK R/A PCB, 50 OHMS PLATED NICKEL SMA-J/PCB	
	3 PLACES ±--- ±---	CHECKED BY	DATE	MOLEX INCORPORATED	
	2 PLACES ±--- ±---	APPROVED BY MHUANG	DATE 2010/02/22	MATERIAL NO. SD-73100-0115	
	1 PLACE ±--- ±---	ANGULAR ± 2 °		DOCUMENT NO. SHEET NO. 1 OF 1	
	DRAFT WHERE APPLICABLE MUST REMAIN WITHIN DIMENSIONS	SIZE C		THIS DRAWING CONTAINS INFORMATION THAT IS PROPRIETARY TO MOLEX INCORPORATED AND SHOULD NOT BE USED WITHOUT WRITTEN PERMISSION	