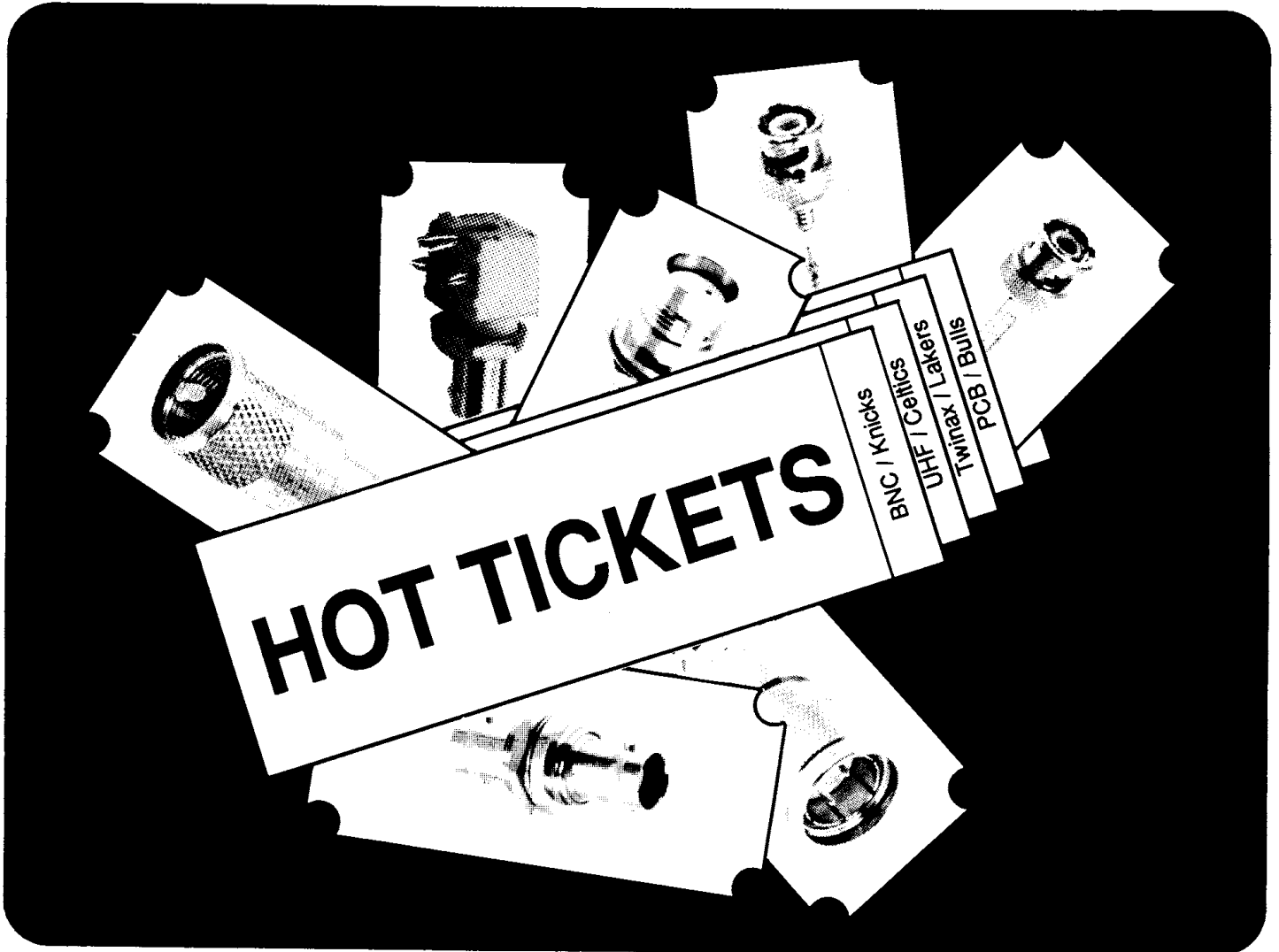


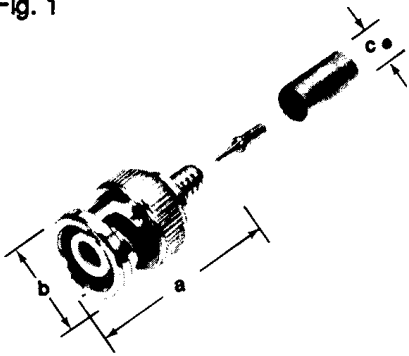
# Amphenol® RF



**Your most popular  
RF connectors  
are immediately available  
from stock!**

**Call your authorized Amphenol® RF Distributor for delivery  
guaranteed when you need it.**

Fig. 1



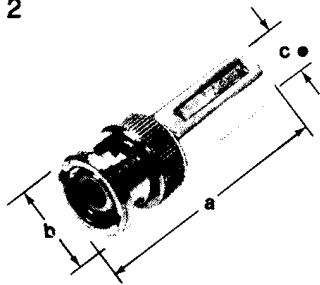
**BNC 3 Piece  
Crimp Type Plugs**

**31-320, 36775**  
for RG-58 cable  
**31-321, 68175-1004**  
for RG-59, 62 cable  
**31-315**  
for RG-174, 188, 316  
cable

**INDUSTRY STANDARD CROSS REFERENCE**

| Amphenol   | AMP                | Kings                | MIL/JG            |
|------------|--------------------|----------------------|-------------------|
| 31-320     | 225395-1           | KC-59-291, KC-59-123 | M23329/3-01, 3-03 |
| 36775      | 225395-1           | KC-59-632 -M06       | —                 |
| 31-321     | 225395-2           | KC-59-294            | M23329/3-05       |
| 68175-1004 | 225395-2           | KC-59-294            | —                 |
| 31-315     | 222188-5, 225395-7 | KC-59-152            | —                 |

Fig. 2

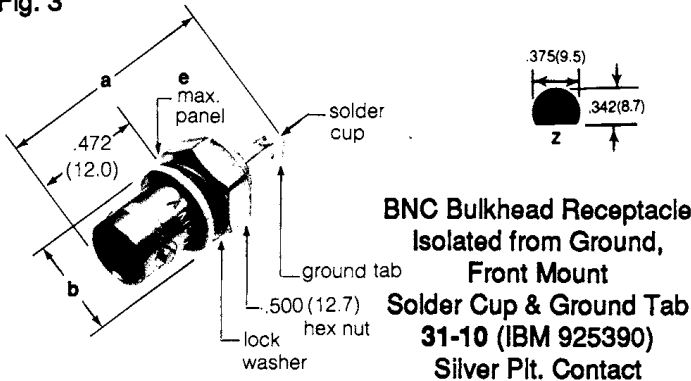


**BNC SURETWIST®  
Plug**  
**31-5136**  
for RG-59, 62 cable

**INDUSTRY STANDARD CROSS REFERENCE**

| Amphenol | AMP      | Kings | MIL/JG |
|----------|----------|-------|--------|
| 31-5136  | 221984-1 | —     | —      |

Fig. 3

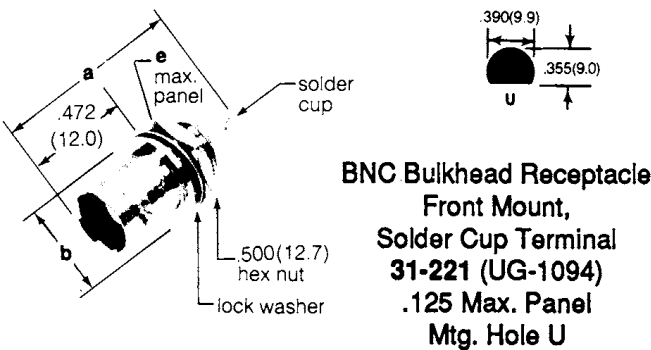


**BNC Bulkhead Receptacle  
Isolated from Ground,  
Front Mount  
Solder Cup & Ground Tab**  
**31-10 (IBM 925390)**  
Silver Plt. Contact

**INDUSTRY STANDARD CROSS REFERENCE**

| Amphenol | AMP      | Kings | MIL/JG |
|----------|----------|-------|--------|
| 31-10    | 227726-2 | —     | —      |

Fig. 4



**BNC Bulkhead Receptacle  
Front Mount,  
Solder Cup Terminal**  
**31-221 (UG-1094)**  
.125 Max. Panel  
Mtg. Hole U

**INDUSTRY STANDARD CROSS REFERENCE**

| Amphenol | AMP                | Kings    | MIL/JG            |
|----------|--------------------|----------|-------------------|
| 31-221   | 228509-8, 227715-2 | KC-79-85 | M23329/3-01, 3-03 |

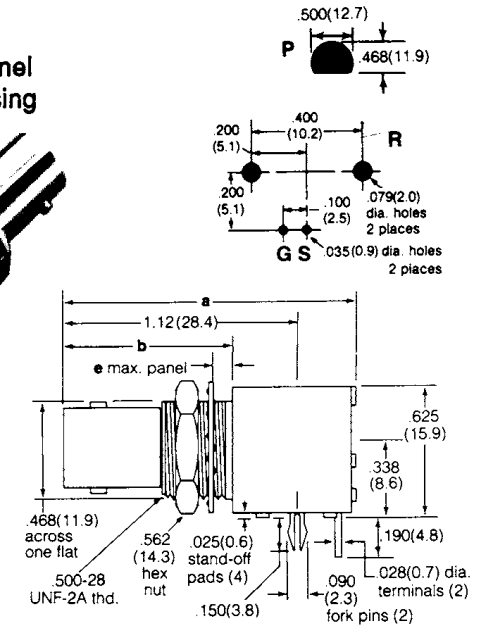
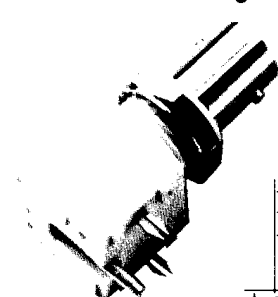
# Amphenol RF

**Most Popular in Industry**

Fig. 5

**Standard BNC Printed Circuit Board  
Right Angle Bulkhead Receptacle**

**31-5431**  
Isolated From Panel  
White Valox Housing



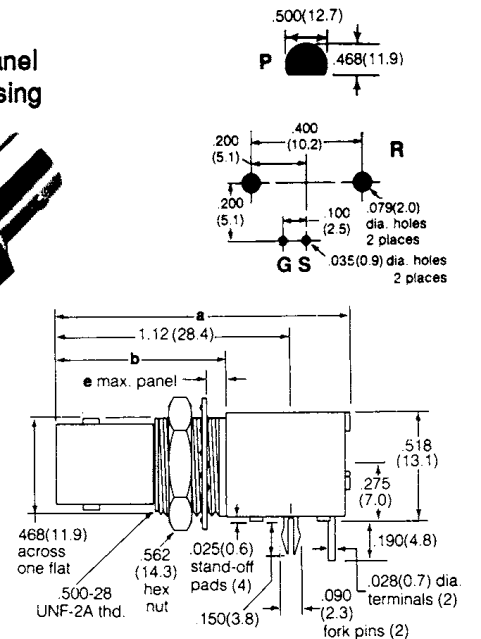
**INDUSTRY STANDARD CROSS REFERENCE**

| Amphenol | AMP      | Kings | MIL/JG |
|----------|----------|-------|--------|
| 31-5431  | 227161-3 | —     | —      |

Fig. 6

**Low Profile BNC Printed Circuit Board  
Right Angle Bulkhead Receptacle**

**31-5486**  
Isolated From Panel  
White Valox Housing

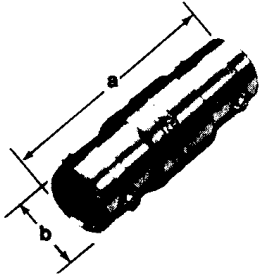


**INDUSTRY STANDARD CROSS REFERENCE**

| Amphenol | AMP      | Kings | MIL/JG |
|----------|----------|-------|--------|
| 31-5486  | 227161-7 | —     | —      |

# Stocked Products

Fig. 7

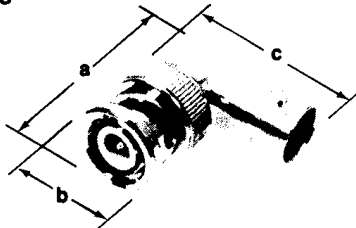


**BNC Straight Adapter  
Jack-Jack  
31-219**

**INDUSTRY STANDARD CROSS REFERENCE**

| Amphenol | AMP      | Kings    | MIL/UG   |
|----------|----------|----------|----------|
| 31-219   | 221551-1 | KC-99-30 | UG-914/U |

Fig. 8

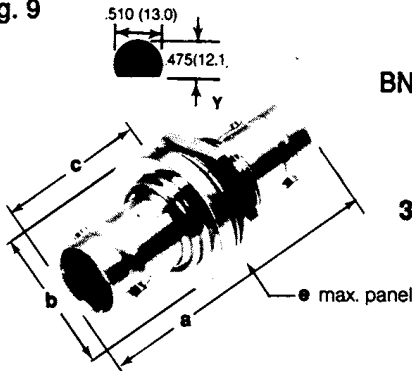


**BNC Angle Adapter  
Jack-Plug  
31-9**

**INDUSTRY STANDARD CROSS REFERENCE**

| Amphenol | AMP      | Kings    | MIL/UG   |
|----------|----------|----------|----------|
| 31-9     | 222185-2 | KC-99-35 | UG-306/U |

Fig. 9

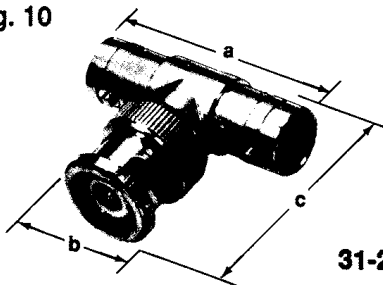


**BNC Bulkhead Adapters  
Jack-Jack  
31-220H Sealed  
.187" max. panel  
31-220N Non-sealed  
.187" max. panel**

**INDUSTRY STANDARD CROSS REFERENCE**

| Amphenol | AMP      | Kings        | MIL/UG    |
|----------|----------|--------------|-----------|
| 31-220H  | —        | KC-99-33     | UG-492A/U |
| 31-220N  | 228226-2 | KC-99-95-MO6 | —         |

Fig. 10

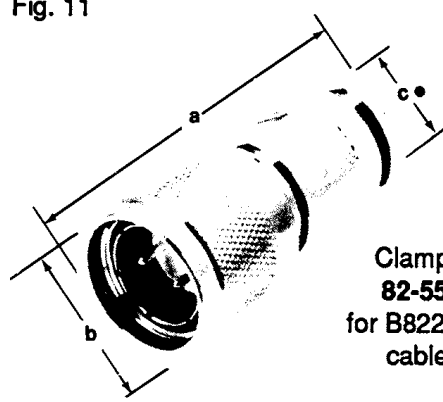


**BNC Tee Adapter  
Jack-Plug-Jack  
31-208 Silver Plt. Contact**

**INDUSTRY STANDARD CROSS REFERENCE**

| Amphenol | AMP              | Kings    | MIL/UG    |
|----------|------------------|----------|-----------|
| 31-208   | 329518, 221543-2 | KC-99-64 | UG-274A/U |

Fig. 11

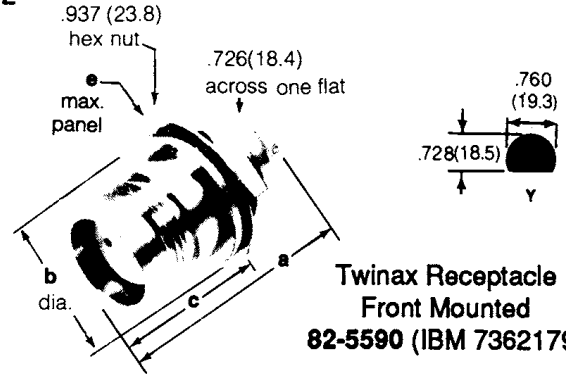


**Clamp Type Twinax Plug  
82-5589 (IBM 7362229)  
for B8227 & B9207, and other  
cables to IBM 7362211**

**INDUSTRY STANDARD CROSS REFERENCE**

| Amphenol | AMP      | Kings        | MIL/UG |
|----------|----------|--------------|--------|
| 82-5589  | 227241-1 | KU-59-99-MO6 | —      |

Fig. 12

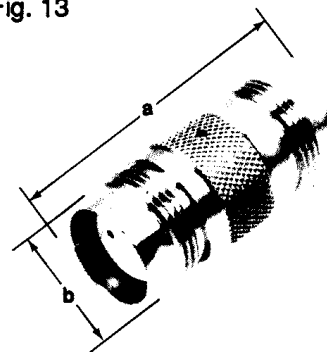


**Twinax Receptacle  
Front Mounted  
82-5590 (IBM 7362179)**

**INDUSTRY STANDARD CROSS REFERENCE**

| Amphenol | AMP      | Kings        | MIL/UG |
|----------|----------|--------------|--------|
| 82-5590  | 228284-1 | KU-79-51-MO6 | —      |

Fig. 13

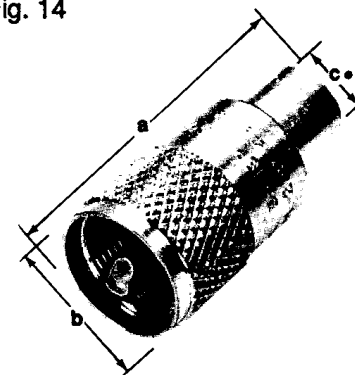


**Twinax Barrel Adapter  
Jack-Jack  
82-5588 (IBM 7362230)**

**INDUSTRY STANDARD CROSS REFERENCE**

| Amphenol | AMP      | Kings        | MIL/UG |
|----------|----------|--------------|--------|
| 82-5588  | 227502-1 | KU-99-21-MO6 | —      |

Fig. 14



**UHF Solder Type Plug  
83-1SP-1050 for RG-8**

**INDUSTRY STANDARD CROSS REFERENCE**

| Amphenol    | AMP | Kings    | MIL/UG |
|-------------|-----|----------|--------|
| 83-1SP-1050 | —   | KU-59-22 | —      |

# Amphenol® RF Industry Standard Stocked Products Data\*

**BNC PLUGS** • 2 stud bayonet mating • 50Ω impedance

| Cable RG-/U                | Cable Attachment |       | Dimensions, inches (millimeters) |            |           | Construction Notes |      |      |       | Military Number  | Amphenol Number | Fig. |
|----------------------------|------------------|-------|----------------------------------|------------|-----------|--------------------|------|------|-------|------------------|-----------------|------|
|                            | Outer            | Inner | a                                | b          | c •       | CAI                | Pit. | Ins. | Other |                  |                 |      |
| 55, 56, 141, 142, 223, 400 | Crimp            | Crimp | 1.11(28.2)                       | .562(14.3) | .206(5.2) | C9                 | P2   | D1   | —     | M23329/3-01,3-03 | 31-320          | 1    |
|                            |                  |       |                                  |            |           |                    |      |      |       | —                | 36775           |      |
| 59, 62, 140, 210           | Crimp            | Crimp | 1.12(28.5)                       | .562(14.3) | .261(6.6) | C9                 | P2   | D1   | —     | M23329/3-05      | 31-321          | 1    |
|                            |                  |       | 1.12(28.5)                       |            |           |                    |      |      |       |                  | 68175-1004      |      |
|                            | SURETWIST®       |       | 1.47(37.3)                       | .562(14.3) | .219(5.6) | C11                | P12  | D15  | —     | —                | 31-5136         | 2    |
| 174, 188, 316              | Crimp            | Crimp | 1.19(30.2)                       | .562(14.3) | .117(3.0) | C9                 | P2   | D1   | —     | —                | 31-315          | 1    |

## BNC BULKHEAD RECEPTACLES

| Description  | Terminal Type          | Dimensions, inches (millimeters) |            |           | Pit. | Ins. | MTG Hole | Military Number | Amphenol Number | Fig. |
|--|------------------------|----------------------------------|------------|-----------|------|------|----------|-----------------|-----------------|------|
|  |                        | a                                | b          | e         |      |      |          |                 |                 |      |
| Bulkhead Receptacle, Front Mount, Isolated From Panel, White Molded Thermoplastic Ins. | Solder Cup, Ground Tab | 1.19(30.2)                       | .500(12.7) | .187(4.8) | P1   | D12  | Z        | (IBM 925390)    | 31-10           | 3    |
| Bulkhead Receptacle, Front Mount   | Solder Cup             | 1.06(27.0)                       | .500(12.7) | .125(3.2) | P1   | DI   | U        | UG-1094         | 31-221          | 4    |

## BNC PRINTED CIRCUIT BOARD RECEPTACLES

| Description  | Terminal Type                   | Dimensions, inches (millimeters) |            |           | Notes |      |     | MTG Hole | Notes                  | Amphenol Number | Fig. |
|--|---------------------------------|----------------------------------|------------|-----------|-------|------|-----|----------|------------------------|-----------------|------|
|  |                                 | a                                | b          | e         | Pit.  | Ins. | Imp |          |                        |                 |      |
| Standard, Printed Circuit Angle Bulkhead Receptacle (J), Mount to Board w/Two Fork Pins    | Blunt Posts for Signal & Ground | 1.40(35.6)                       | .810(20.6) | .250(6.4) | P14   | D17  | 50Ω | R/P      | Isolated White Housing | 31-5431         | 5    |
| Low Profile, Printed Circuit Angle Bulkhead Receptacle (J), Mount to Board w/Two Fork Pins | Blunt Posts for Signal & Ground | 1.40(35.6)                       | .810(20.6) | .250(6.4) | P14   | D17  | 50Ω | R/P      | Isolated White Housing | 31-5486         | 6    |

## BNC ADAPTERS

| Description                             |                | Dimensions, inches (millimeters) |            |            |           | Notes |      | MTG Hole | Military Number | Amphenol Number | Fig. |
|---|----------------|----------------------------------|------------|------------|-----------|-------|------|----------|-----------------|-----------------|------|
|   |                | a                                | b          | c          | e         | Pit.  | Ins. |          |                 |                 |      |
| Straight                                | Jack-Jack      | 1.28(32.5)                       | .437(11.1) | —          | —         | P1    | D1   | —        | UG-914          | 31-219          | 7    |
| Angle                                   | Jack-Plug      | 1.06(27.0)                       | .562(14.3) | 1.02(25.8) | —         | P1    | D1   | —        | UG-306          | 31-9            | 8    |
| Bulkhead, Pressurized                   | Jack-Jack      | 1.40(35.6)                       | .625(15.9) | .683(17.3) | .187(4.8) | P1    | D1   | Y        | UG-492A         | 31-220H         | 9    |
| Bulkhead, Non Sealed Version of 31-220H |                |                                  | .800(20.3) | .664(16.9) |           | P2    | D2   |          | —               | 31-220N         | 9    |
| Tee                                     | Jack-Plug-Jack | 1.28(32.5)                       | .562(14.3) | 1.06(27.0) | —         | P1    | D1   | —        | UG-274A         | 31-208          | 10   |

## KEYED 90° TWINAX CONNECTORS • twin contacts • 3/4-20 thread mating

| Cable/Description  | Cable Attachment |                 | Dimensions, inches (millimeters) |            |            |           | Notes |      |      | MTG hole | IBM Ref. Number | Amphenol Number | Fig. |
|--|------------------|-----------------|----------------------------------|------------|------------|-----------|-------|------|------|----------|-----------------|-----------------|------|
|  | Outer            | Inner           | a                                | b          | c          | e         | CAI   | Pit. | Ins. |          |                 |                 |      |
| Plug Times AA-6026, AA6076, AA-6079 Brand Rex T6756A Belden 8227, 9207 IBM 7362211 | Clamp            | Solder or Crimp | 1.89(48.0)                       | .890(22.6) | .340(8.7)• | —         | C6    | P1   | D12  | —        | 7362229         | 82-5589         | 11   |
| Receptacle, Front Mount, Solder Cup Terminals                                      | —                | —               | 1.60(40.6)                       | .937(23.8) | .710(18.0) | .190(4.8) | —     | P1   | D12  | Y        | 7362179         | 82-5590         | 12   |
| Barrel Adapter Jack - Jack   | —                | —               | 1.67(42.5)                       | .794(20.7) | —          | —         | —     | P1   | D12  | —        | 7362230         | 82-5588         | 13   |

## UHF CABLE PLUGS • male contacts

| Cable RG-/U                                   | Cable Attachment |        | Dimensions, inches (millimeters) |            |            | Construction Notes |      |      |            | Military Number | Amphenol Number | Fig. |
|---|------------------|--------|----------------------------------|------------|------------|--------------------|------|------|------------|-----------------|-----------------|------|
|   | Outer            | Inner  | a                                | b          | c •        | CAI                | Pit. | Ins. | Other      |                 |                 |      |
| 8, 9, 11, 13, 63, 87A, 149, 213 214, 216, 225 | Solder           | Solder | 1.50(38.0)                       | .750(19.0) | .444(11.3) | C1                 | P1   | D3   | IBM 460147 | PL-259          | 83-1SP-1050     | 14   |

\* for complete information on stocked products