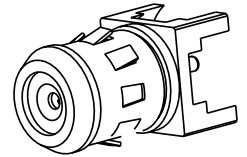


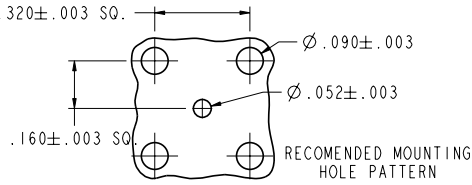
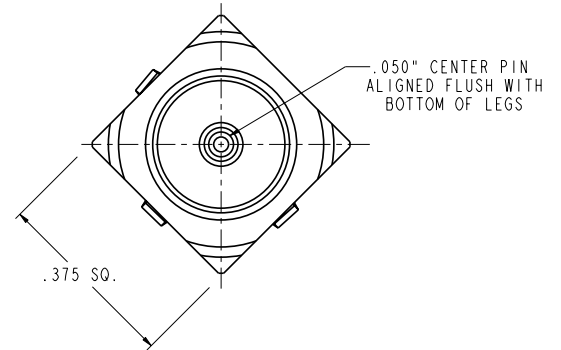
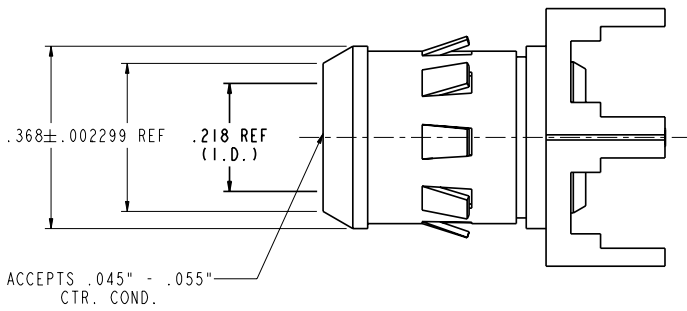
NOTES:

- MATERIALS OF CONSTRUCTION
 BODY - BRASS, BRIGHT ACID TIN PLATED
 CONTACTS - BeCu, GOLD OVER NICKEL PLATED
 INSULATOR - PTFE

CUSTOMER OUTLINE DRAWING
 ALL OTHER SHEETS ARE FOR INTERNAL USE ONLY



SCALE 3.000



SCALE 3.000

531-40051-0001	1	1	"G" JACK	SEE S/A
PART NUMBER	QTY.	ITEM	DESCRIPTION	FINISH

UNLESS OTHERWISE SPECIFIED, DIMENSIONS ARE IN INCHES AND TOLERANCES ARE:
 2 PLACE DECIMAL ±.015 (0.381 mm) 3 PLACE DECIMAL ±.005 (0.127 mm) ANGLES ± 1°

NOTICE - These drawings, specifications, or other data (1) are, and remain the property of Amphenol Corp. (2) must be returned upon request; and (3) are confidential and not to be disclosed to any person other than those to whom they are given by Amphenol Corp. The furnishing of these drawings, specifications, or other data by Amphenol Corp., or to any other person to anyone for any purpose is not to be regarded by implication or otherwise in any manner licensing, granting rights or permitting such holder or any other person to manufacture, use or sell any product, process or design, patented or otherwise, that may in any way be related to or disclosed by said drawings, specifications, or other data.

MATERIAL	DRAWN	DATE	TITLE
REFERENCE	J. WILKINSON	11-Sep-96	"G" JACK, PCB MOUNT .050" MATING PLUG
	ENGINEER	DATE	
	J. WILKINSON	11-Sep-96	
	APPROVED	DATE	
	T. AUBIN	2/3/98	
	CAD FILE		
	1:\CATV\FTYPE\531-40051		

Amphenol Amphenol Corporation Communication and Network Products Division Danbury, CT U.S.A. 06810			SCALE: 5.0:1	SHEET 1 OF 1
CODE ID	DWG SIZE	DRAWING NO.	REV	
74868	B	531-40051	A	