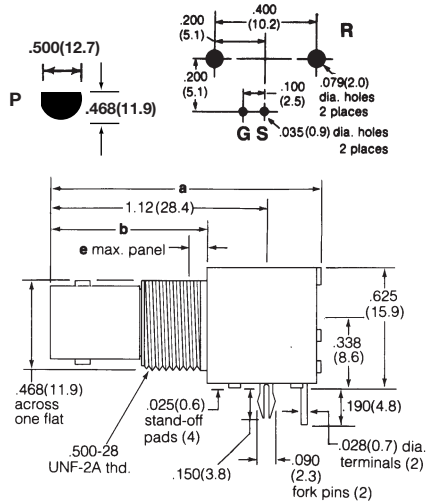


Fig. 1

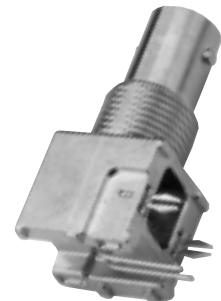
Standard Height BNC Printed Circuit Board Right Angle Bulkhead Receptacles ☆



Isolated from Panel
White Valox Housing
31-71047 (Round Pins)
31-71047-1010 (Fork Pins)



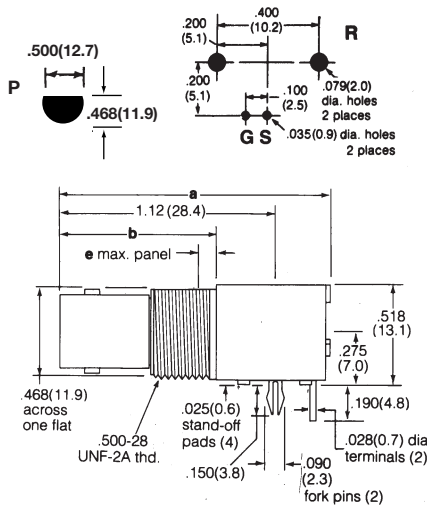
Isolated from Panel
Black Valox Housing
31-71046 (Round Pins)
31-71046-1010 (Fork Pins)



Metal Housing
31-71043 (Round Pins)
31-71043-1010▲
(Fork Pins)

Fig. 2

Low Profile BNC Printed Circuit Board Bulkhead Receptacles ☆



Isolated from Panel
White Valox Housing
31-71052 (Round Pins)
31-71052-1010 (Fork Pins)
31-71052-10RFX



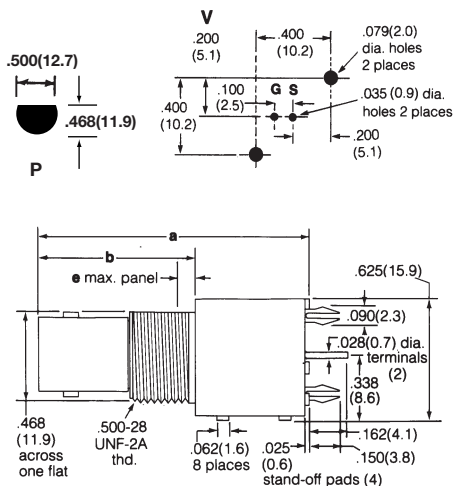
Isolated from Panel
Black Valox Housing
31-71053 (Round Pins)
31-71053-1010 (Fork Pins)



Metal Housing
31-71042 (Round Pins)

Fig. 3

Vertical BNC Printed Circuit Board Bulkhead Receptacles ☆



Isolated from Panel
White Valox Housing
31-71058 (Round Pins)
31-71058-1010 (Fork Pins)

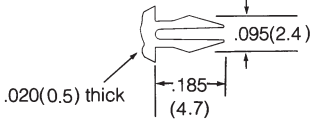


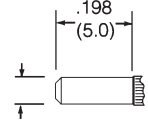
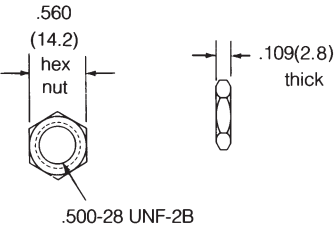
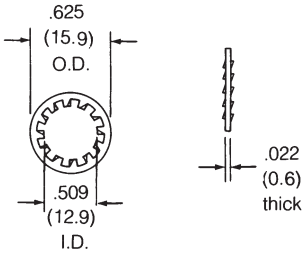


Isolated from Panel
Black Valox Housing
31-71059 (Round Pins)
31-71059-1010 (Fork Pins)



Metal Housing
31-71045 (Round Pins)
31-71045-1010
(Fork Pins)

☆ Jam nuts and lockwashers sold separately. ▲ distributor stocked

 <p>Fork Pin holds connectors rigidly to P.C. Board for high temperature and mass production assembly</p>	<p>Fig. 4</p> 	<p>Fig. 5</p> 
 <p>Round Pin (Standard)</p>	 <p>Pkg. of 100, Hex Nut for BNC Bulkhead PCB Receptacles 31-5652▲ Nickel Plated</p>	 <p>Pkg. of 100, Lockwasher for BNC PCB Bulkhead Receptacles 31-5653▲ Nickel Plated</p>

BNC PRINTED CIRCUIT BOARD BULKHEAD RECEPTACLES

Description	Terminal Type	Dimensions, inches (millimeters)			Notes		Mtg. Hole	Notes	Mtg. Pin Type	Imp	Amphenol Number	Fig.
		a	b	e	Plt.	Ins.						
Standard Height Printed Circuit Angle Bulkhead Receptacle (J)☆	Blunt Posts for Signal & Ground	1.40(35.6)	.810(20.6)	.250(6.4)	P26	D17	R/P	Iso. White Housing	Round	75Ω	31-71047	1
					P26	D17			Fork	75Ω	31-71047-1010	
					P26	D20	R/P	Iso. Black Housing	Round	75Ω	31-71046	
					P26	D20			Fork	75Ω	31-71046-1010	
					P26	D22	R/P	Metal Housing	Round	75Ω	31-71043	
P26	D22	Fork	75Ω	31-71043-1010								
Low Profile Printed Circuit Angle Bulkhead Receptacle (J)☆	Blunt Posts for Signal & Ground	1.40(35.6)	.810(20.6)	.250(6.4)	P26	D17	R/P	Iso. White Housing	Round	75Ω	31-71052	2
					P26	D17			Fork	75Ω	31-71052-1010	
					P26	D17	R/P	Iso. Black Housing	Fork	75Ω	31-71052-10RFX	
					P26	D20			Round	75Ω	31-71053	
					P26	D20	R/P	Metal Housing	Fork	75Ω	31-71053-1010	
P26	D22	Round	75Ω	31-71042								
Vertical Printed Circuit Bulkhead Receptacle (J)☆	Blunt Posts for Signal & Ground	1.40(35.6)	.810(20.6)	.250(6.4)	P26	D17	V/P	Iso. White Housing	Round	75Ω	31-71058	3
					P26	D17			Fork	75Ω	31-71058-1010	
					P26	D20	V/P	Iso. Black Housing	Round	75Ω	31-71059	
					P26	D20			Fork	75Ω	31-71059-1010	
					P26	D22	V/P	Metal Housing	Round	75Ω	31-71045	
P26	D22	Fork	75Ω	31-71045-1010								
Hex Nut for BNC Bulkhead PCB Receptacles, Package of 100 ea.					P3	—	—	Nickel Plated	—	—	31-5652	4
Lockwasher for BNC Bulkhead PCB Receptacles, Package of 100 ea.					P3	—	—	Nickel Plated	—	—	31-5653	5

☆ Jam nuts and lockwashers sold separately. See Figs. 4 & 5 ▲ distributor stocked