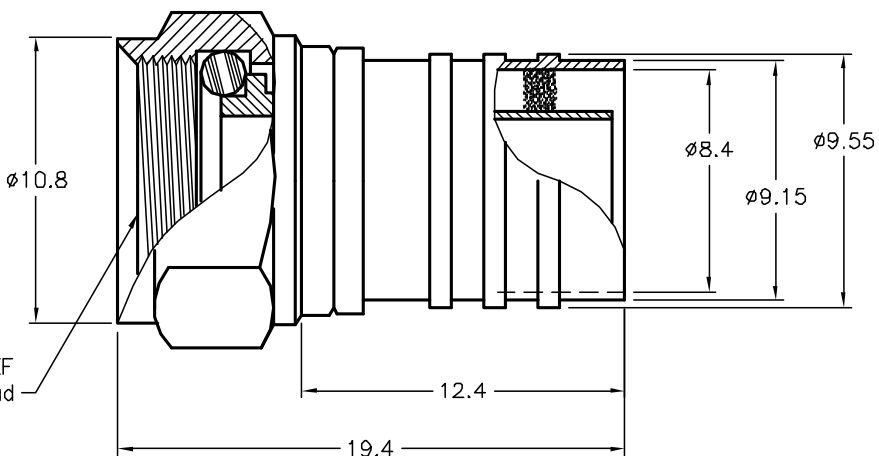
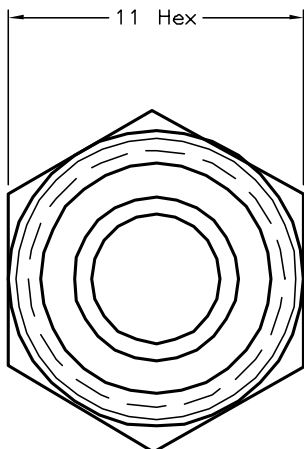


ALL RIGHTS RESERVED. NO PORTION OF THIS PUBLICATION, WHETHER IN WHOLE OR IN PART CAN BE REPRODUCED WITHOUT THE EXPRESS WRITTEN CONSENT OF SPC TECHNOLOGY.

DCP #		REV	DESCRIPTION	DRAWN	DATE	CHECKD	DATE	APPRVD	DATE
1897			Released	JWM	4/5/07	JN	2/18/08	JN	2/18/08



3/8-32 UNEF Thread



<small>DISCLAIMER</small> ALL STATEMENTS AND TECHNICAL INFORMATION CONTAINED HEREIN ARE BASED UPON INFORMATION AND/OR TESTS WE BELIEVE TO BE ACCURATE AND RELIABLE. SINCE CONDITIONS OF USE ARE BEYOND OUR CONTROL, THE USER SHALL DETERMINE THE SUITABILITY OF THE PRODUCT FOR THE INTENDED USE AND ASSUME ALL RISK AND LIABILITY WHATSOEVER IN CONNECTION THEREWITH.				
UNLESS OTHERWISE SPECIFIED, DIMENSIONS ARE FOR REFERENCE PURPOSES ONLY.	DRAWN BY: Jeff McVicker	DATE: 4/5/07	DRAWING TITLE: F Connector	
	CHECKED BY: Jason Nash	DATE: 2/18/08	SIZE A	DWG. NO. 2765-SPC
	APPROVED BY: Jason Nash	DATE: 2/18/08	ELECTRONIC FILE 92n5307.dwg	REV
	SCALE: NTS		U.O.M.: Millimeters	SHEET: 1 OF 1

SPC-F005.DWG